
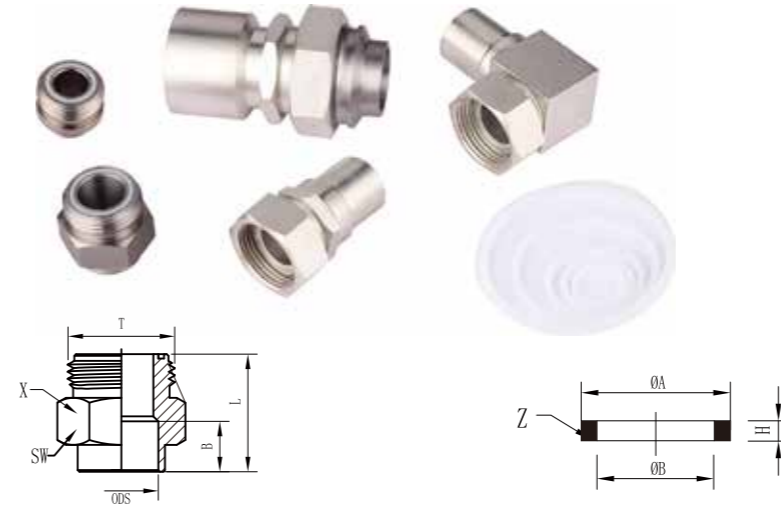


Note: add access port at left or right or center according to customer adopting one of connecting mode.

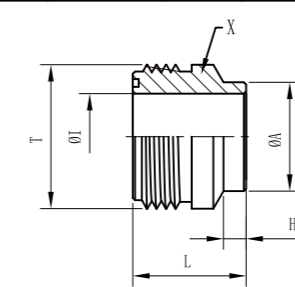
Technical Requirements	P	Q	Z
Material	STEEL	STEEL	PTFE
The Working Pressure	≤ 5 MPa		
The Suitable Media	R22, R134a, R410A, R502, POE oil and some other refrigerants		
Temperature Range	-40℃~150℃		
Helium Leaking Detecting	leakage ≤ 1.0g/a		
Qualification			

Model	“□”	A mm	B mm	D mm	F mm	H mm	L mm	C mm
RV007	□20	6	8	Ø12	22	32.5	107	1"-14UNS (SW30六角)
RV008		1/4"						
RV009		10						
RV010		3/8"						
RV011		12						
RV012		1/2"						
RV013	5/8"	13	Ø13.5	22	37.5	112	1-1/4"-12UNF (SW36六角)	
RV014	18							
RV015	3/4"							
RV016	12	10	Ø19	28	49.5	143	1-3/4"-12UN (SW50六角)	
RV017	1/2"							
RV018	5/8"							
RV019	18							
RV020	3/4"							
RV021	18							
RV022	3/4"	23	Ø27	31	61	186	2-1/4"-12UN (SW65六角)	
RV023	7/8"							
RV024	28							
RV025	1-1/8"							
RV026	18							
RV027	3/4"							
RV028	7/8"	28	Ø38	43	72.5	199.5	2-1/4"-12UN (SW65六角)	
RV029	28							
RV030	1-1/8"							
RV031	28							
RV032	1-1/8"							
RV033	1-3/8"							
RV034	42	28	Ø38	43	74.5	201.5	2-1/4"-12UN (SW65六角)	
RV035	1-5/8"							
RV036	1-3/8"							
RV037	42							
RV038	1-5/8"							
RV039	2-1/8"							



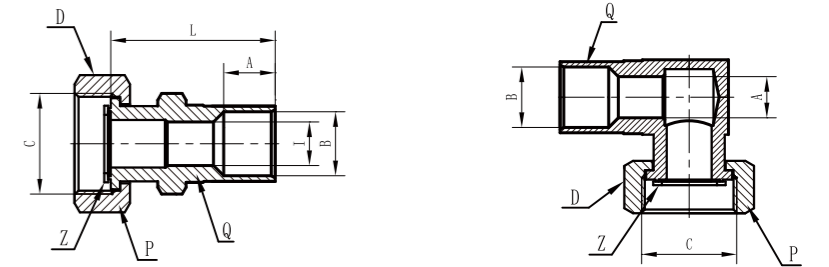
Model	ODS		T	B mm	SW mm	L mm
	mm	inch				
SW01	Ø10	—	3/4"-16UNF	8	19	23
SW02	—	3/8"				
SW03	Ø12	—				
SW04	—	1/2"				
SW05	Ø10	—	1"-14UNS	10	27	28
SW06	—	3/8"				
SW07	Ø12	—				
SW08	—	1/2"				
SW09	Ø16	5/8"	1-1/4"-12UNF	15	33	35
SW10	Ø18	—				
SW11	—	3/4"				
SW12	Ø18	—				
SW13	—	3/4"	1-3/4"-12UN	15	46	38
SW14	Ø22	7/8"				
SW15	Ø28	—				
SW16	Ø22	7/8"				
SW17	Ø28	—	2-1/4"-12UN	20	60	53
SW18	—	1-1/8"				
SW19	Ø35	1-3/8"				
SW20	Ø42	—				
SW21	—	1-5/8"	2-1/4"-12UN	20	60	53
SW22	Ø35	1-3/8"				
SW23	Ø42	—				
SW24	—	1-5/8"				
SW25	Ø54	2-1/8"	2-1/4"-12UN	20	60	53
SW26	Ø67	2-5/8"				

Model	T	ØA mm	ØB mm	H mm
TY04-01	3/4"-16UNF	Ø14.05	Ø11.1	1.5
TY04-02	1"-14UNS	Ø19.1	Ø15.7	1.5
TY04-03	1-1/4"-12UNF	Ø25.4	Ø22	1.5
TY04-04	1-3/4"-12UN	Ø38.1	Ø34.7	1.5
TY04-05	2-1/4"-12UN	Ø51	Ø47	1.9



Model	T	Ø1 mm	ØA mm	H mm	L mm
FW1	3/4"-16UNF	9	13	5	20
FW2	1"-14UNS	13	17	5	23
FW3	1-1/4"-12UNF	19	24	5	25
FW4	1-3/4"-12UN	27	33	8	28
FW5	2-1/4"-12UN	40	47	8	30

Technical Requirements	P	Q	Z	X
Material	STEEL	STEEL	PTFE	STEEL
The Working Pressure	≤ 4.5 MPa			
The Suitable Media	R22, R134a, R410A, R502, POE oil and some other refrigerants			
Temperature Range	-40℃~150℃			
Helium Leaking Detecting	leakage ≤ 1.0g/a			



Model	A mm	螺纹尺寸 C	ODS B mm	I mm	L mm
SRJ01	8	3/4"-16UNF (SW22)	6	4.8	38
SRJ02			1/4"		
SRJ03			10		
SRJ04			3/8"		
SRJ05			12		
SRJ06			1/2"		
SRJ07	10	1"-14UNS (SW30)	6	4.8	39.5
SRJ08			1/4"		
SRJ09			10		
SRJ10			3/8"		
SRJ11			12		
SRJ12			1/2"		
SRJ13	13	1-1/4"-12UNF (SW36)	5/8"	12	40.5
SRJ14			5/8"		
SRJ15			18		
SRJ16			3/4"		
SRJ17			7/8"		
SRJ18			28		
SRJ19	16	1-3/4"-12UN (SW50)	18	19	50.5
SRJ20			28		
SRJ21			1-1/8"		
SRJ22			1-3/8"		
SRJ23			42		
SRJ24			1-5/8"		
SRJ25	23	2-1/4"-12UN (SW65)	42	38	67
SRJ26			1-5/8"		
SRJ27			2-1/8"		
SRJ28			28		
SRJ29			1-1/8"		
SRJ30			28		
SRJ31	24.5	1-3/4"-12UN (SW50)	28	27	57
SRJ32			1-1/8"		
SRJ33			1-3/8"		
SRJ34			42		
SRJ35			1-5/8"		
SRJ36			28		
SRJ37	28	2-1/4"-12UN (SW65)	28	38	69
SRJ38			1-1/8"		
SRJ39			1-3/8"		
SRJ40			42		
SRJ41			1-5/8"		
SRJ42			2-1/8"		

Model	A mm	螺纹尺寸 C	ODS B mm	SW D mm
ORJ01	Ø4.8	3/4"-16UNF	6	SW22
ORJ02			1/4"	
ORJ05			10	
ORJ06			3/8"	
ORJ09			12	
ORJ10			1/2"	
ORJ13	Ø8	1"-14UNS	10	SW30
ORJ14			3/8"	
ORJ17			12	
ORJ18			1/2"	
ORJ21			5/8"	
ORJ25			5/8"	
ORJ26	Ø18	1-1/4"-12UNF	18	SW36
ORJ29			3/4"	
ORJ30			7/8"	
ORJ31			28	
ORJ32			1-1/8"	
ORJ33			7/8"	
ORJ34	Ø19	1-3/4"-12UN	28	SW50
ORJ35			1-1/8"	
ORJ36			28	
ORJ37			1-1/8"	
ORJ38			1-3/8"	
ORJ39			42	
ORJ40	Ø38	2-1/4"-12UN	1-5/8"	SW65
ORJ41			2-1/8"	