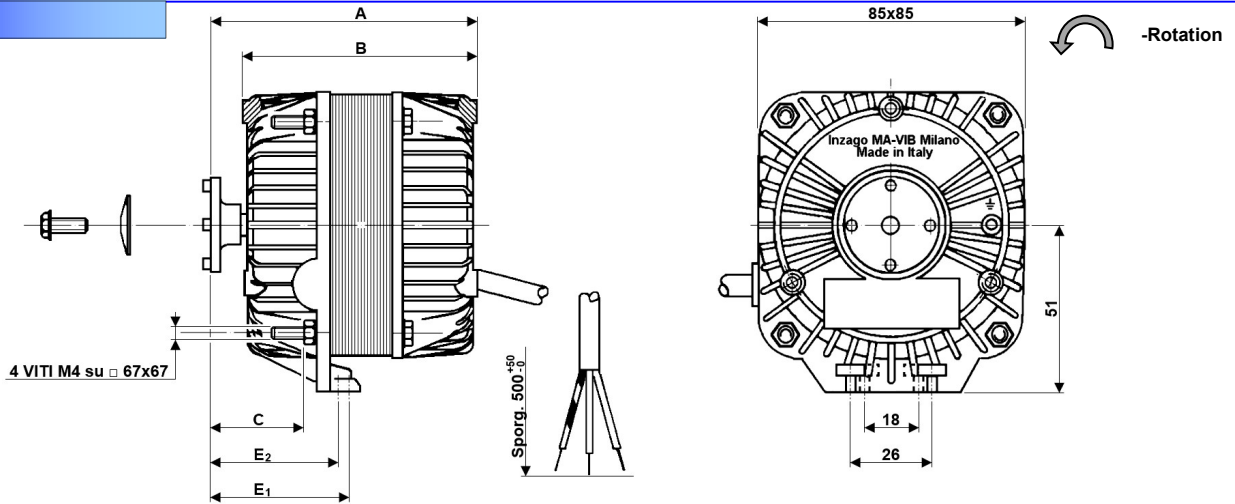


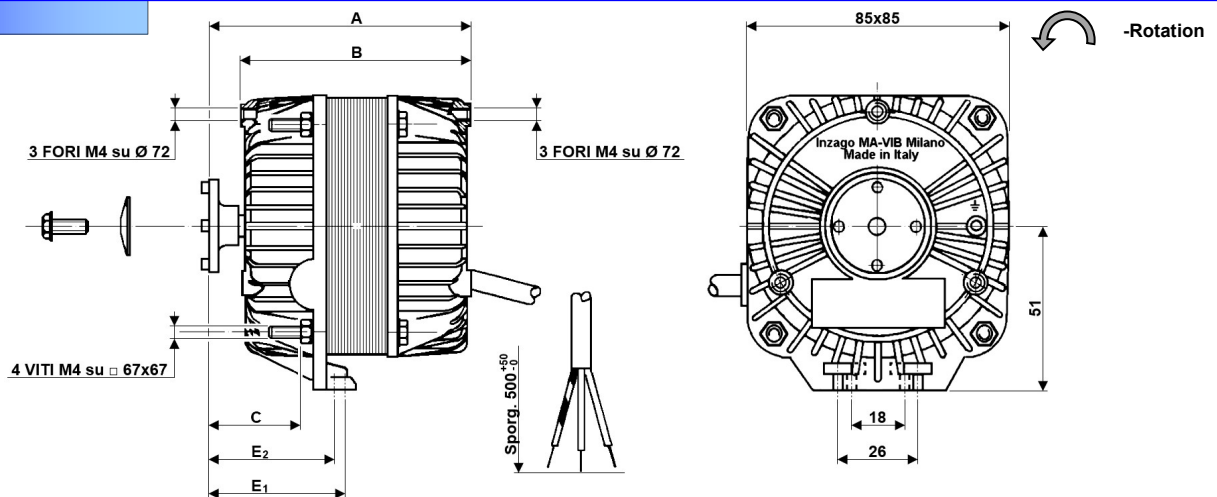
Universal 4 pole motors

multi fixing

Serie A2

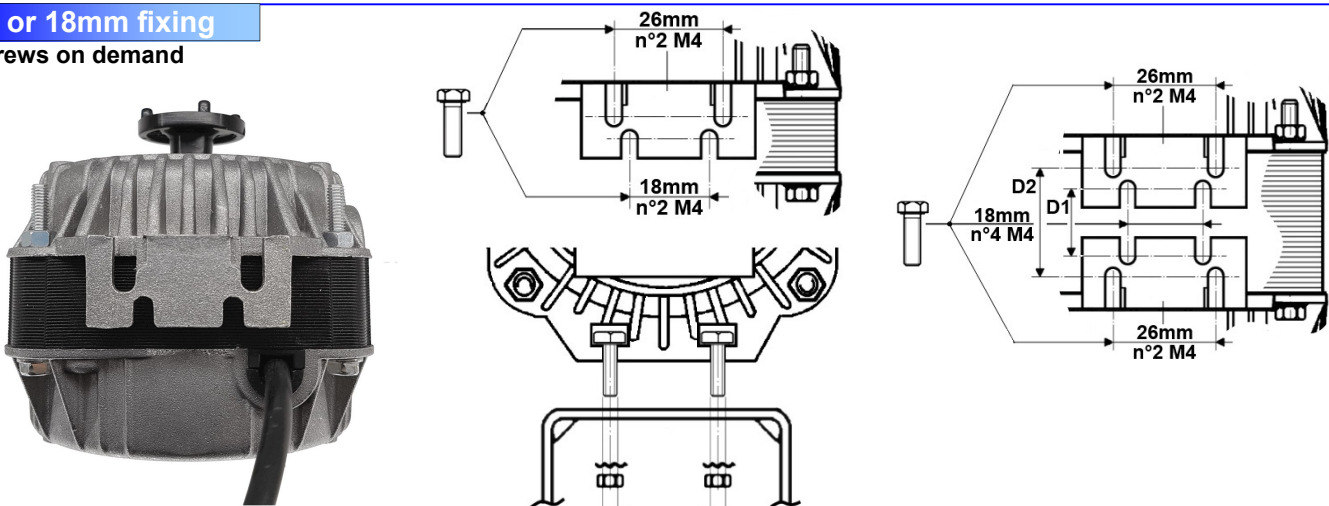


Serie A5



26 or 18mm fixing

Screws on demand



Universal 4 pole motors

multi fixing

4 Pole SHADED POLE - 230 V – 50/60Hz (on demand 115V-50/60Hz.)

Operation mode	S1	Ambient temp.	-30°C ÷ +40°C	Marking CE + Ex (*)
Mounting position	All	Max. intake air	+ 50°C	Standard of ref.
Motor bearing	Sleeve or ball (*) bear.	Max. °C storage	-40°C ÷ +80°C	EN 60335-1/A15/2-24/2-89(*) Gas IIA
Motor protection	Imp or TH	Expect. live sleeve	Over 40.000 h	600034-1(REM) 60529 (IP) 60079-15(*)
Locked rotor protec.	Yes	Housing	Die-casting Alum.	(*) II 3G Ex nA IIA T6
Insulation	B	Ring /fan guard /support	Steel	EU 2066-42(Mac) 2014-35 (Low V.)
IP protection	42 (on demand 44)	Impeller	Aluminium	EU 2014/30 (EMC) 2015/863 (RosHS3)

(*) suitable on demand

Serie EFCR

CODE	Lable data					Dimensions				Impeller	Airflow	Impeller max				
	A.	W _{in}	W _{out}	RPM	Prot.	A	B	C	18mm		26mm		std ø / incl., °	max, m ³ /h	ø / incl., ° @50Hz	ø / incl., ° @60Hz
				50Hz/60Hz					D ₁	E ₁	D ₂	E ₂				
EFCR 05 Y 0 A5	0,19	29	5	1300/1500	Imp.	75	61	32	48	43	200 / 19	343	154 / 31	154 / 31		
EFCR 05 Y 0 A2													172 / 31	172 / 31		
EFCR 10 Y 0 A5	0,25	38	10	1300/1400	I./T.	81	68	32	48	43	254 / 19	675	200 / 31	200 / 31		
EFCR 10 Y 0 A2													230 / 27	230 / 23		
EFCR 12 Y 0 A5	0,37	53	12	1300/1500	Therm.	81	68	32	48	43	254 / 23	700	230 / 31	230 / 27		
EFCR 12 Y 0 A2													254 / 27	254 / 23		
EFCR 16 Y 0 A5	0,43	68	16	1300/1400	Therm.	91	73	37	53	47	254 / 27	950	230 / 31	230 / 31		
EFCR 16 Y 0 A2													254 / 27	300 / 16		
EFCR 18 Y 0 A5	0,55	85	18	1300/1450	Therm.	101	78	42	57	52	300 / 19	1320	254 / 31	254 / 31		
EFCR 18 Y 0 A2													300 / 23	300 / 19		
EFCR 25 Y 0 A5	0,78	110	25	1300/1400	Therm.	112	88	44	20	60	30,5	55	300 / 23	1420	300 / 27	300 / 23
EFCR 25 Y 0 A2															300 / 27	300 / 23
EFCR 34 Y 0 A5	0,76	120	34	1300/1400	Therm.	120	93	46	25	62	36	57	300 / 27	1625	300 / 27	300 / 27