

Movement by Perfection



The Royal League in **ventilation**, control and drive technology



[Product documentation](#)

Type
FN040-4EK.0F.V7P1

Article number
152728

Product documentation

Type
FN040-4EK.0F.V7P1

Article number
152728



Contents

1.	Product specification	3
2.	Characteristic curve	4
3.	Drawing	5
4.	Connection diagram	7
5.	EU-Declaration of conformity	8

1. Product specification

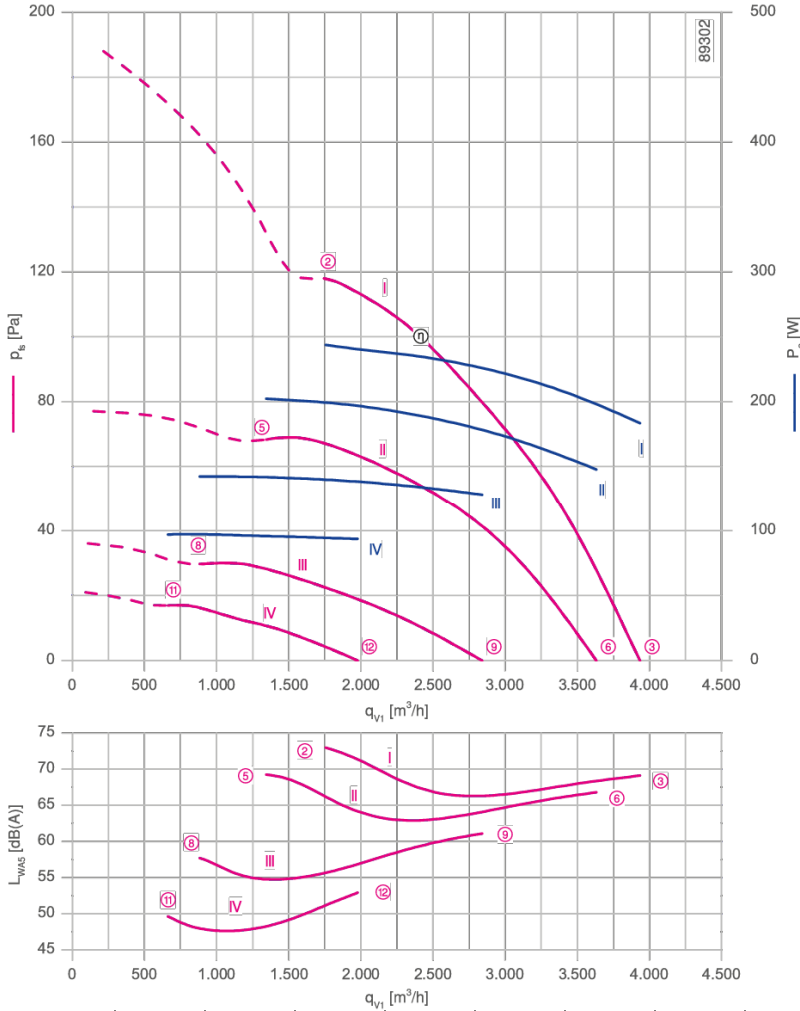
Technical data

Article number	152728
Type	FN040-4EK.0F.V7P1
Designation	Axial fan with sickle blades
Rated values	1~230V±10% 50Hz P ₁ 240W 1.05A ΔI=15% 1340/min 5.0uF/400V 65°C 1~230V±10% 60Hz P ₁ 330W 1,45A ΔI=5% 1480/min 5,0uF/400V PsF max. 70PA 40°C
Electrical connection	Terminal box K05
Min. operating temperature °C	-25
Mounting type terminal box	Mounted on Stator
Type of protection	IP54
Thermal class	THCL155
Connection diagram	1360-104XA
Rating plate	1x fixed
Fitting position	H/Vu/Vo
Motor protection	thermal contact
Impregnation	Moisture and hot climate protection
Quality of bearings	ball bearing with long-time lubrication
Material Rotor	Aluminium
Painting rotor	Rotor 1 coat painted
colour rotor	RAL 9005 (jet black)
Material blades	High Performance Composite Material
Painting impeller	unpainted
Colour blades	black
Guard grille type	ring grill
Control	--
Painting mot.suspens	Motor suspension powder-coated consistency class 2
colour suspension	RAL 9005 (jet black)
Weight kg	5,50
ErP Data	Efficiency η_{statA} : 31,1 % Efficiency grade: $N_{actual} = 41,3 / N_{target} = 40^*$ *ErP 2015

2. Characteristic curve

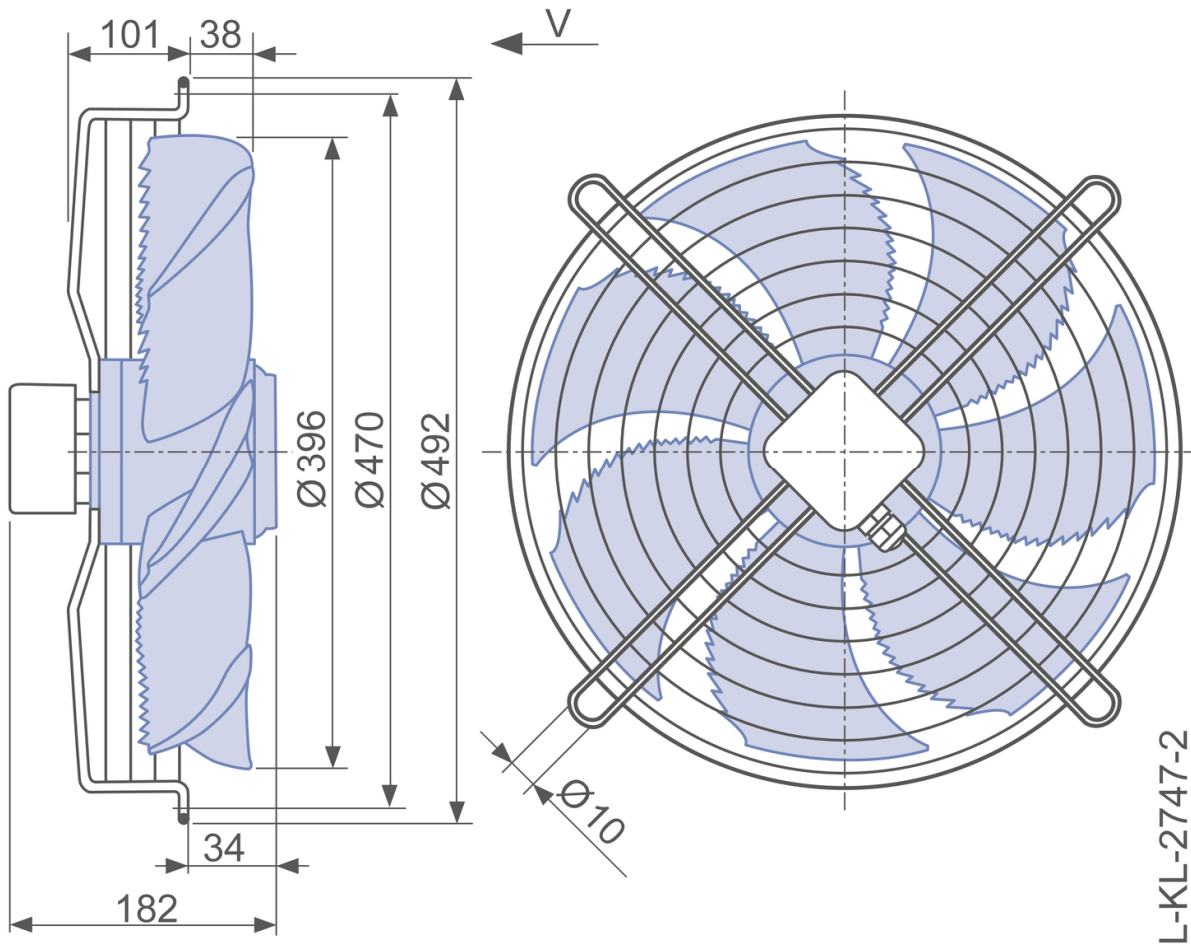
Characteristic curve

Frequency: 50 Hz

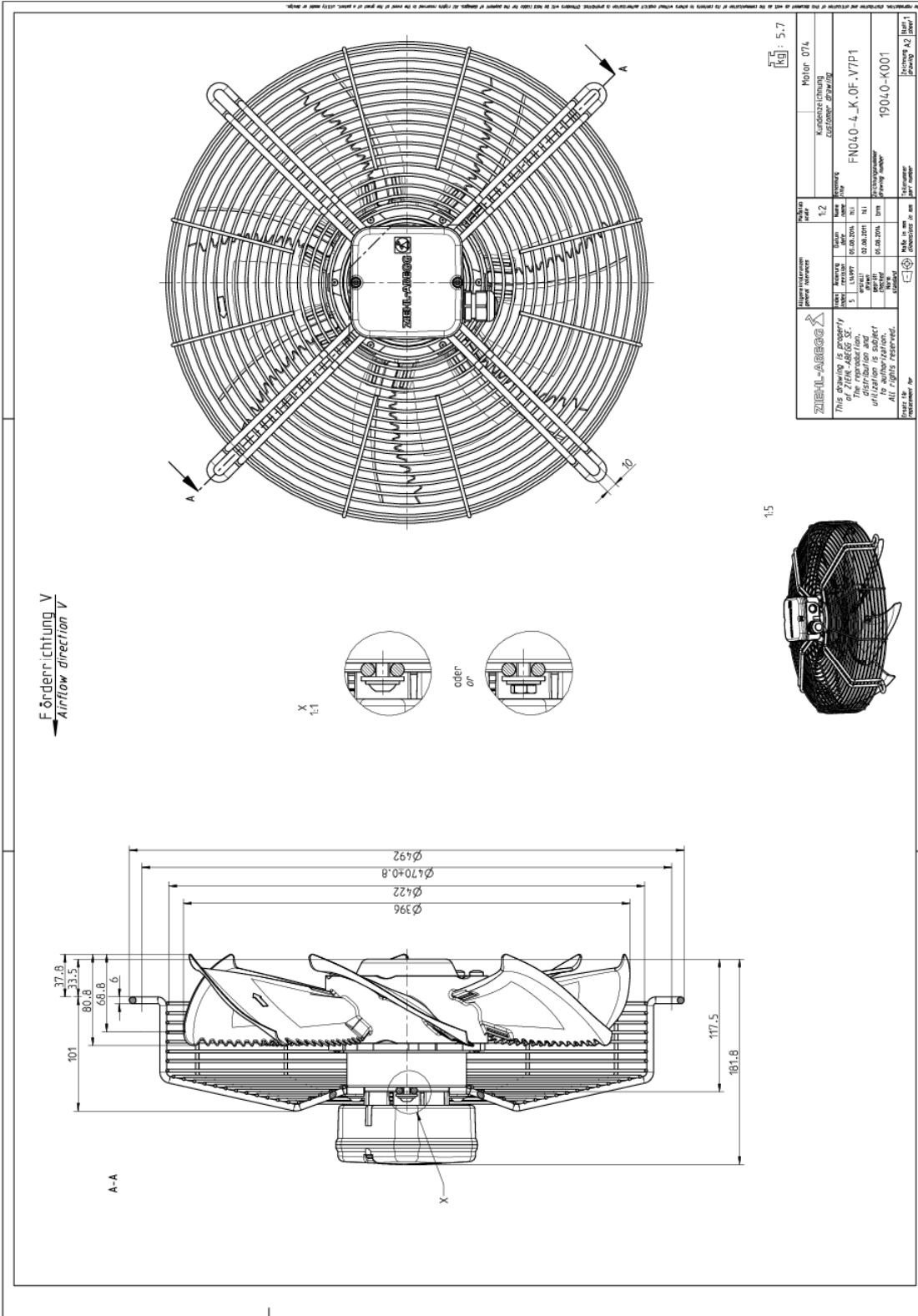


Operating point		①	②	③	④	⑤	⑥	⑦	⑧	⑨	⑩	⑪	⑫
Characteristic curve		I	I	I	II	II	II	III	III	III	IV	IV	IV
Connection		L	L	L	L	L	L	L	L	L	L	L	L
Voltage	V	230	230	230	170	170	170	135	135	135	110	110	110
Input power	W	300	240	180	220	200	150	150	140	130	100	95	95
Current	A	1,30	1,05	0,80	1,35	1,20	0,86	1,10	1,10	0,96	0,94	0,92	0,88
Speed	min ⁻¹	1260	1340	1410	810	1030	1310	550	690	1020	430	510	710

3. Drawing



The Royal League Die Königsklasse



Dimensions in mm
Shown drawing is just to show the dimensions of the fan.

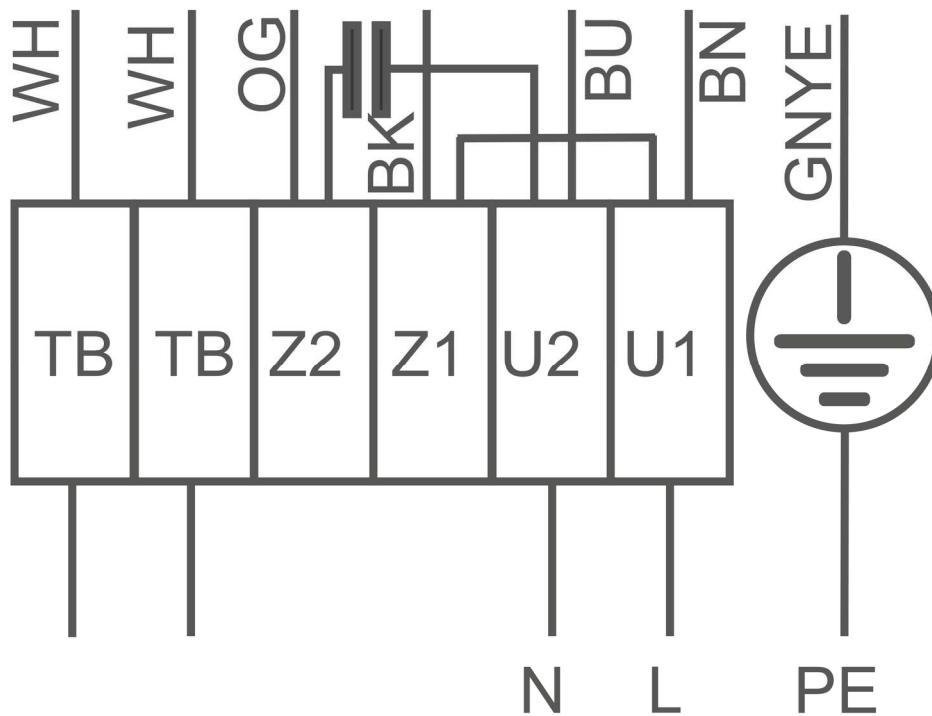
4. Connection diagram

1360-104XA

1~Motor with capacitor and thermostatic switch (if built in).

BN brown
BU blue
BK black
OG orange
WH white
GNYE green-yellow

Clockwise rotation





The Royal League in ventilation, control and drive technology

Intelligent control technology for any application

ZIEHL-ABEGG system capabilities:
Everything from a single source – perfectly matched for optimal performance

Please contact us. We would be pleased to design an individual solution for your requirements.

We would like to welcome you on our worldwide exhibitions. Please find our next exhibitions [here](#).