

Movement by Perfection



The Royal League in ventilation, control and drive technology



[Product documentation](#)

Type
FN030-4EK.WA.V7

Article number
180187

Product documentation

Type
FN030-4EK.WA.V7

Article number
180187



Contents

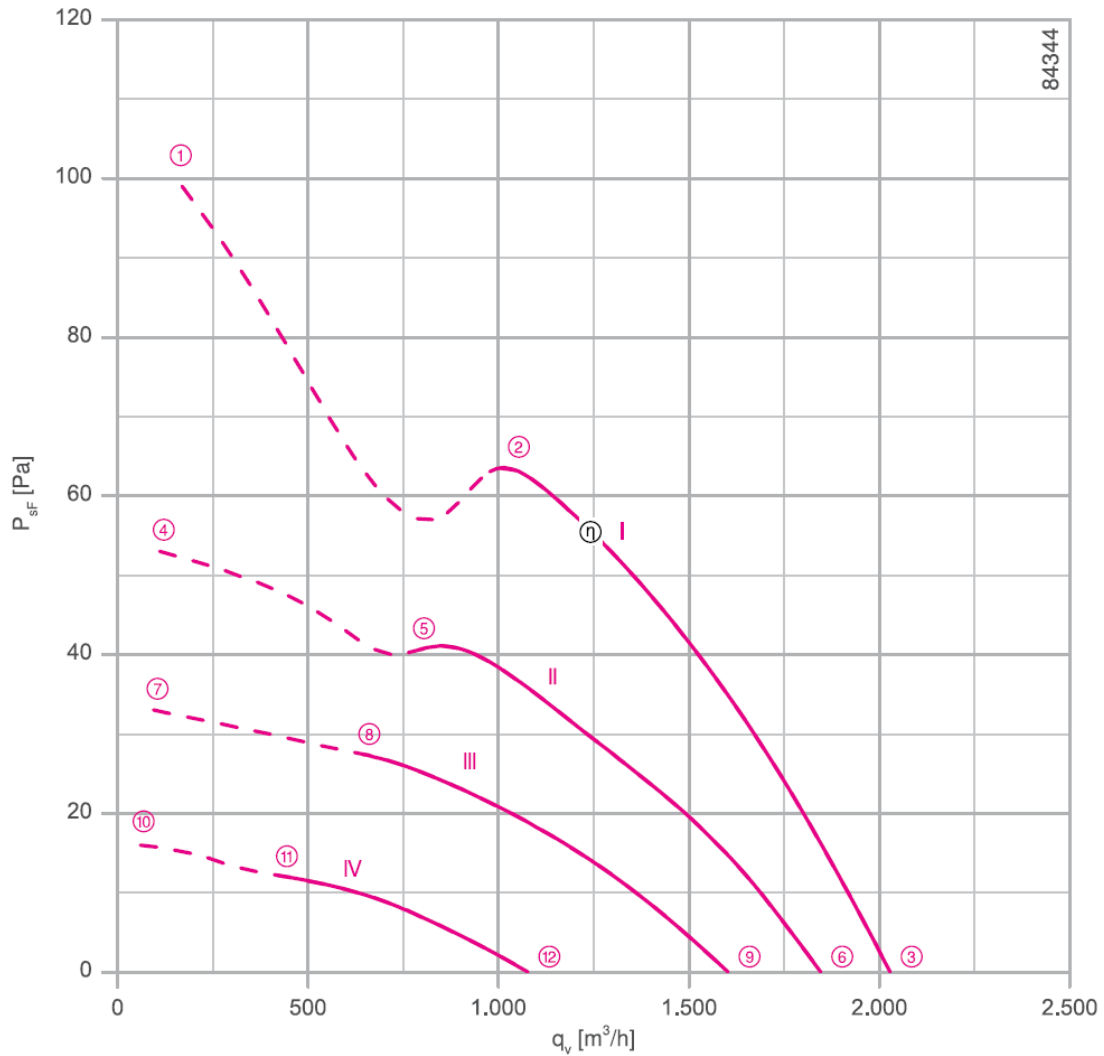
1.	Product specification	3
2.	Characteristic curve 50Hz	4
3.	Performance data 50Hz	4
4.	Characteristic curve 60Hz	5
5.	Performance data 60Hz	5
6.	Drawing	6
7.	Connection diagram	7

1. Product specification

Technical data

Article number	180187
Type	FN030-4EK.WA.V7
Designation	Axial fan with sickle blades
Rated values	1~230V ± 10% 50Hz P ₁ 85W 0.39A ΔI=0% 1290/min 2.0uF/400V 60°C 1~230V ± 10% 60Hz P ₁ 110W 0,50A ΔI=0% 1320/min 2,0uF/400V 60°C
Electrical connection	Terminal box K09
Min. operating temperature °C	-40
Type of protection	---
Thermal class	THCL155
Connection diagram	1360-177X
Rating plate	1x fixed
Fitting position	H/Vu/Vo
Motor protection	thermal contact
Impregnation	Moisture and hot climate protection
Condensation holes	Condensation water holes in stator/rotor open
Quality of bearings	ball bearing with long-time lubrication
Material Rotor	Aluminium
Painting rotor	Rotor 1 coat painted
colour rotor	RAL 5002 (ultramarine blue)
Material blades	High Performance Composite Material
Painting impeller	unpainted
Colour blades	black
Guard grille type	ring grill
Control	--
Painting mot.suspens	Motor suspension powder-coated consistency class 2
colour suspension	RAL 9005 (jet black)
Weight kg	3,50
ErP Data	Not subject to the regulations of ErP directive (P ₁ < 125 W)

2. Characteristic curve 50Hz

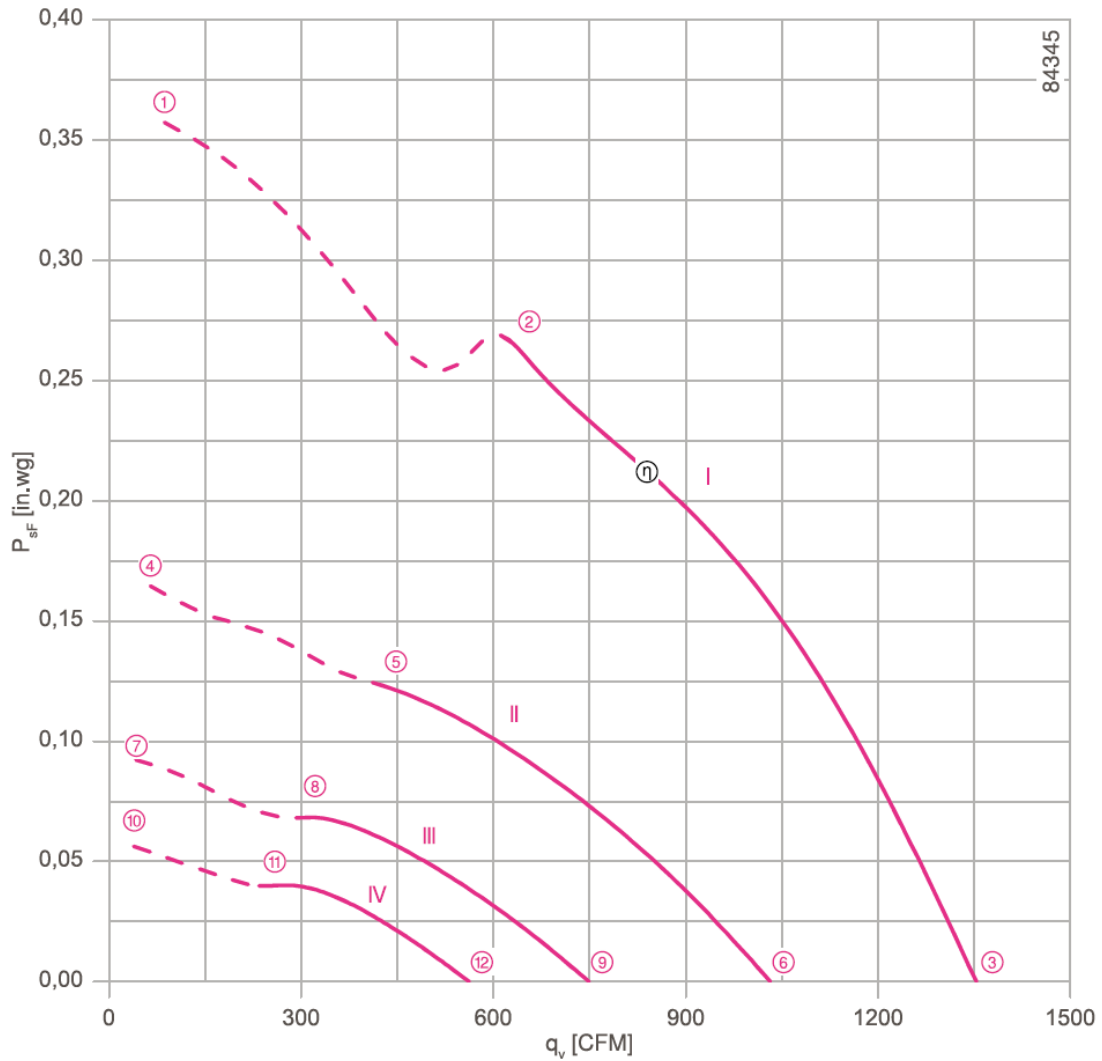


Measured in full bell mouth without guard grille in installation type A according to ISO 5801

3. Performance data 50Hz

Type	Characteristic curve	Voltage	Operating point	Current	Input power	Speed
		U V		I A	P ₁ W	n min ⁻¹
FN030-4E_WA_7	I	230	①	0.44	95	1220
		230*	②	0.39*	85*	1290*
		230	③	0.34	75	1370
	II	170	④	0.39	65	890
		170	⑤	0.36	60	1050
		170	⑥	0.30	50	1240
	III	145	⑦	0.34	48	710
		145	⑧	0.33	46	870
		145	⑨	0.30	42	1100
	IV	110	⑩	0.27	28	490
		110	⑪	0.26	28	570
		110	⑫	0.26	26	740

4. Characteristic curve 60Hz

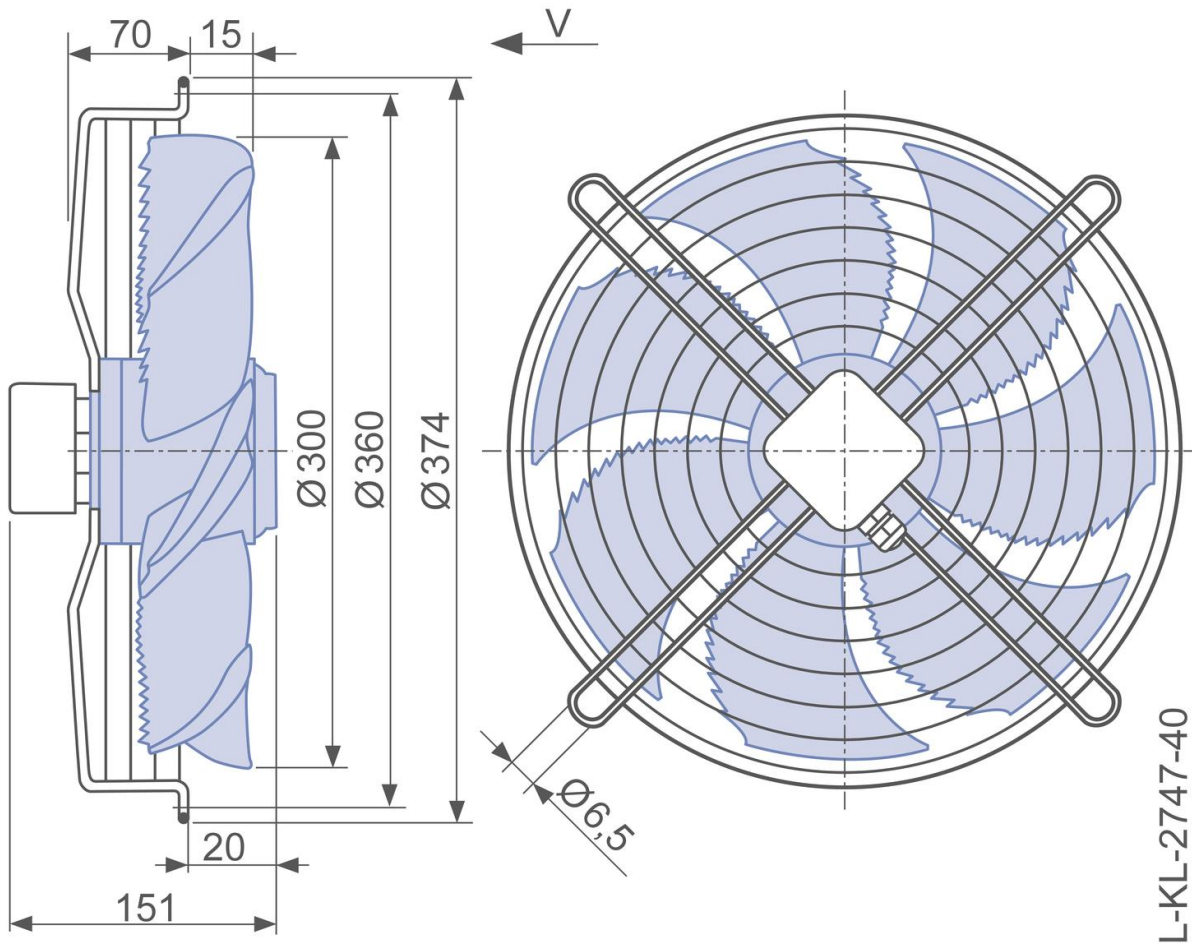


Measured in full bell mouth without guard grille in installation type A according to ISO 5801

5. Performance data 60Hz

Type	Characteristic curve	Voltage	Operating point	Current	Motor input power	Speed
		U [V]		I [A]	P ₁ [W]	n [rpm]
FN030-4E_WA_7	I	230	①	0.52	120	1150
		230*	②	0.50*	110*	1320*
		230	③	0.46	100	1540
	II	170	④	0.40	65	780
		170	⑤	0.40	65	910
		170	⑥	0.38	65	1190
	III	135	⑦	0.32	42	580
		135	⑧	0.32	42	680
		135	⑨	0.31	42	880
	IV	110	⑩	0.26	28	460
		110	⑪	0.26	28	520
		110	⑫	0.26	28	660

6. Drawing



Dimensions in mm
Shown drawing is just to show the dimensions of the fan.

7. Connection diagram

1360-177X

1~ Motor with capacitor and thermostatic switch.

BU/GY blue or grey

BK black

BN brown

GNYE green-yellow

