

Installation Guide

RS-485 adapter
Type **EKA 206**

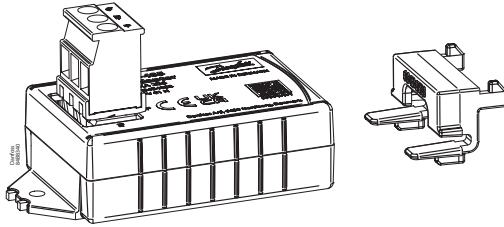


080R9352



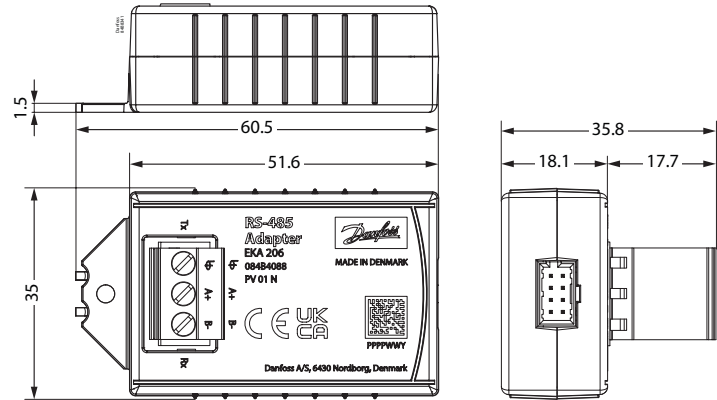
AN433824456218en-000101

Identification



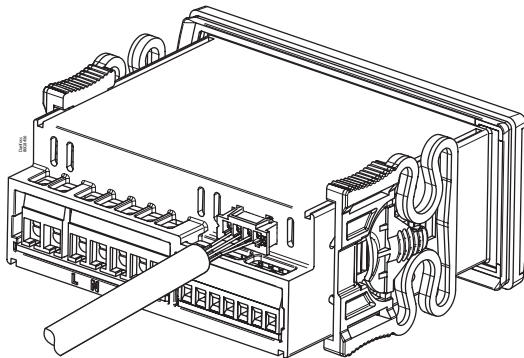
RS485 Adapter, type EKA 206 and cable clip.
Code no. 084B4088

Dimensions (units are in mm)

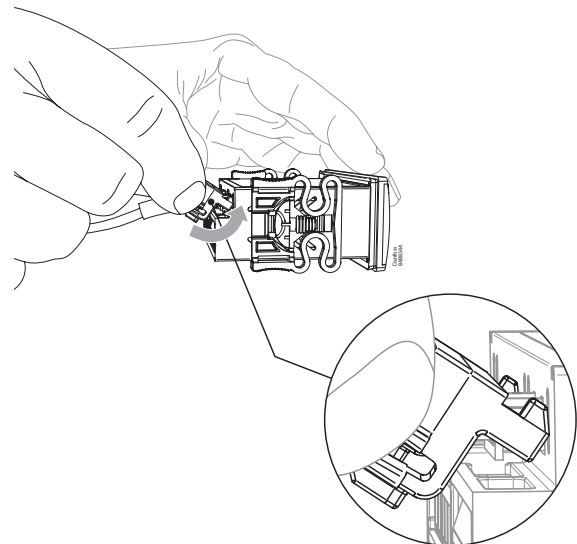


Installation

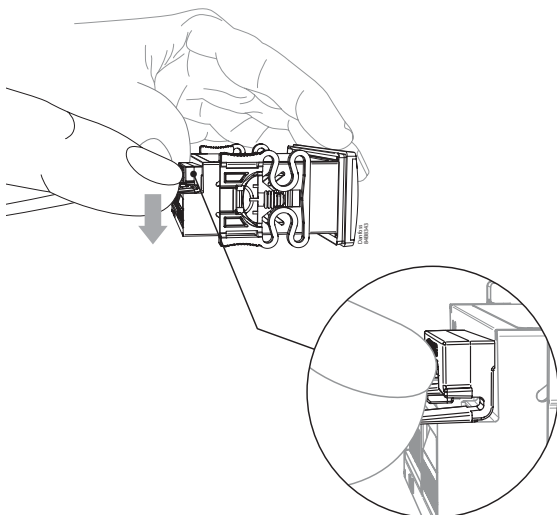
1. Connect cable to controller



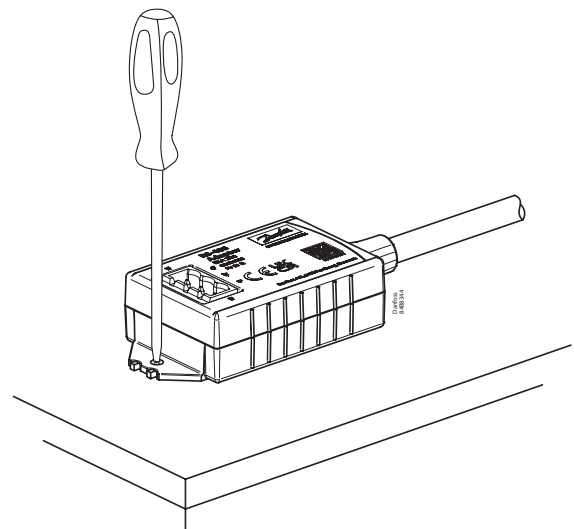
2. Place the cable clip in guide slots



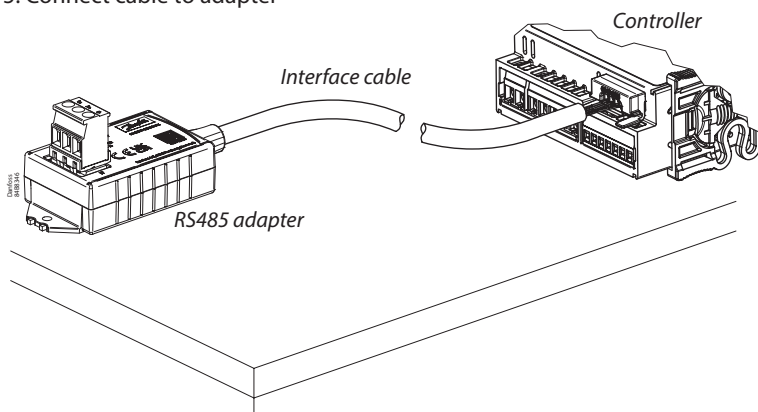
3. Mount the cable clip – press down on arms



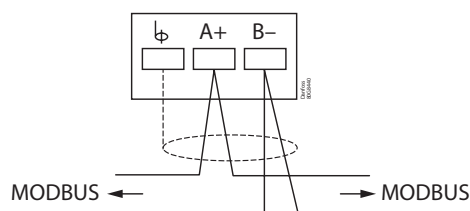
4. Fix the RS-485 adapter



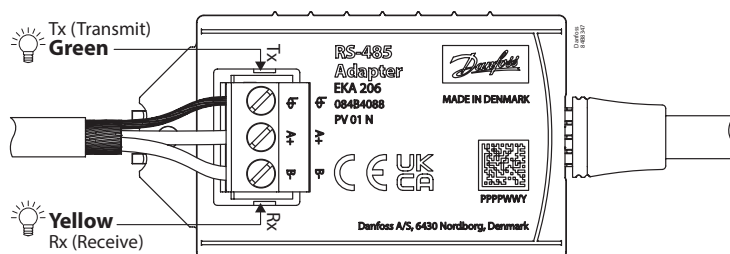
5. Connect cable to adapter



6. Wire Modbus



7. LED indicators during operation



⚠ Warning

- The installation of adapter must be performed while the controller is switched off.
- Ensure the Adapter is installed away from heating source, direct sunlight, dripping water, dusty environment.
- Do not mount the adapter in food compartment in case of cold space installation.
- Interface cable for connecting adapter to controller must be ordered separately.
- Ensure that cables are always strain relieved and tied up by other means to cabinet.
- It is important that the installation of the Modbus data communication cable is performed correctly with sufficient distance to high voltage cables.

Technical data

Specification	Description	
Input voltage	5 V DC from controller	
Current consumption	20 mA	
IP rating	20	
Operating temperature	-10 – 55 °C (14 – 131 °F), 90% RH	
Storage temperature	-40 – 70 °C (-40 – 158 °F), 90% RH	
Supported controllers	EKC 223, EKC 224	
Approvals ¹⁾	--	
Ordering	Interface cable	080N0327
	EKA 206 RS485 adapter	084B4088 (single pack), 084B4188 (I pack)

¹⁾ For latest approval status and other approvals, please check at Danfoss.com or contact your local Danfoss representative.