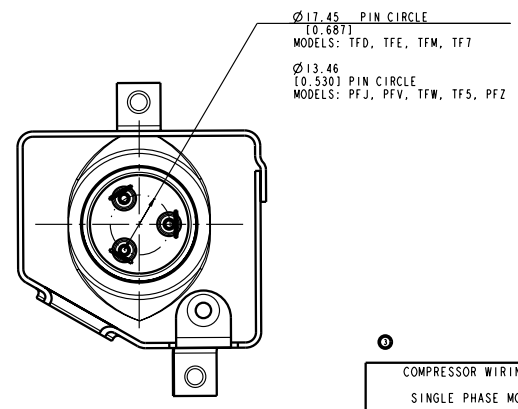
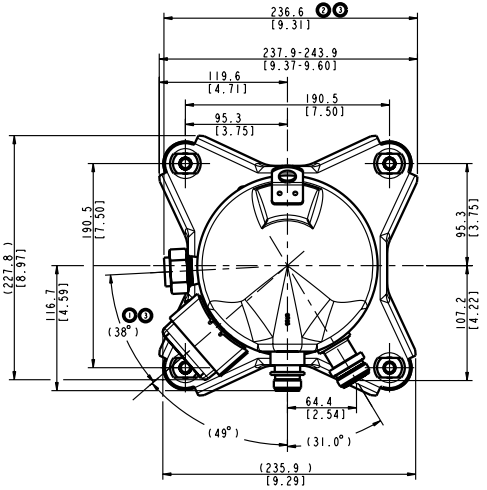


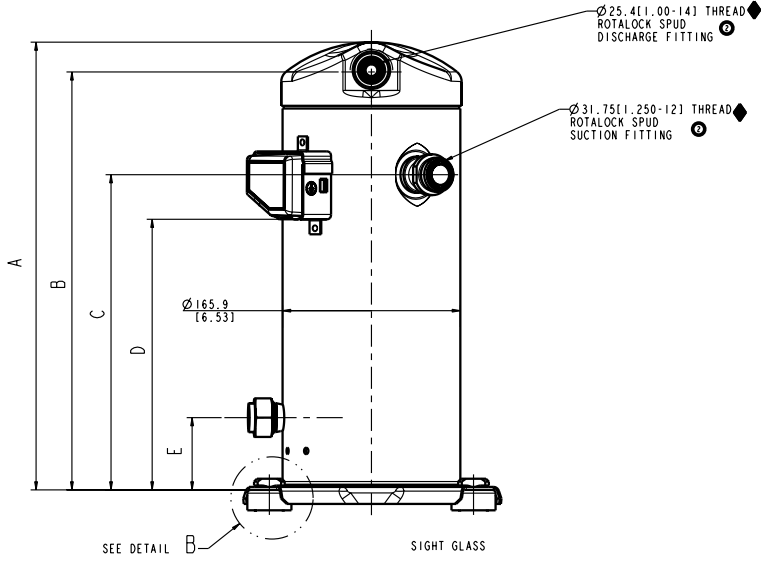
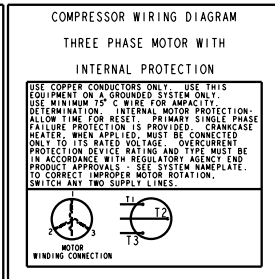
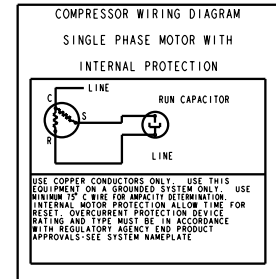
	12	11	10	9	8	7	6	5	4	3	2	1	
	PART NO.	MODEL NUMBER	A±3.0	B	C	D±3.0	E						SPECIFICATIONS
													ES NO. DESCRIPTION
													ES92-155 CONVERSION-METRIC
H	497-0785-00	ZB26KO/KQE-****-559	400.8 [15.80]	372.9 [14.68]	277.1 [10.91]	235.5 [9.27]	77.6 [3.06]						
	497-0785-01	ZB29KO/KQE-****-559	417.8 [16.45]	389.9 [15.35]	294.1 [11.58]	252.5 [9.94]	67.4 [2.65]						
	497-0785-02	ZB15/19KO/KQE-****-559	363.8 [14.324]	338.3 [13.319]	244.5 [9.626]	202.9 [7.988]	69.6 [2.74]						
	497-0785-03	ZB21KO/KQE-****-559	386.4 [15.213]	360.9 [14.209]	264.4 [10.409]	222.8 [8.772]	64.9 [2.55]						
	497-0785-04	ZB15/19KO/KQE-****-523	363.8 [14.324]	338.3 [13.319]	244.5 [9.626]	202.9 [7.988]	OMIT						
	497-0785-05	ZB21KO/KQE-****-523	386.4 [15.213]	360.9 [14.209]	264.4 [10.409]	222.8 [8.772]	OMIT						
6	497-0785-06	ZB26KO/KQE-****-523	400.8 [15.80]	372.9 [14.68]	277.1 [10.91]	235.5 [9.27]	OMIT						
	497-0785-07	ZB29KO/KQE-****-523	417.8 [16.45]	389.9 [15.35]	294.1 [11.58]	252.5 [9.94]	OMIT						

NOTES:
 1 ALL TOLERANCES ±1.50 [0.060] UNLESS OTHERWISE SPECIFIED.
 DUE TO ACCUMULATED ASSEMBLY TOLERANCES THE LISTED COMPONENTS MAY VARY FROM THE MOUNTING HOLES AS SHOWN BELOW:
 ♦ ALL FITTINGS : ±3.0 [0.12]
 2 MOUNTING KIT.
 3. TUBE ENDS MUST BE PLUGGED.

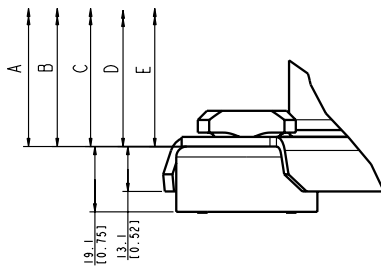
GROMMET DUROMETER	4 FOOT KIT
35-45	527-0116-00



SCALE 2:1



SEE DETAIL B SIGHT GLASS



DETAIL B SCALE 2:1

EMERSON Climate Technologies
 Copeland

ECN00140	3	UPDATED ASSEMBLY & WIRING DIAGRAM & REVISED [C]	31-05-11	FY	LJC	CS
ECN00139	2	MODEL 55 DIMENSION & UPDATED DISTANCE DIMENSION	04-09-08	FY	LJC	SA
ECN00112	1	ADDED -Ø2 TO -Ø7 AND UPDATED DIMENSION	08-08-08	AG	MY	BL
ECN00102	0	RELEASED	05-28-08	AG	MY	BL
ENG NOTICE NO.	REV. NO.	REVISIONS	DATE	BY	CHKD	APPD
10		CONFIDENTIALITY NOTICE: THIS DRAWING AND INFORMATION CONTAINED HEREIN ARE THE EXCLUSIVE PROPERTY OF EMERSON CLIMATE TECHNOLOGIES, INC. AND SHALL BE RETURNED UPON DEMAND AND SHALL NOT BE REPRODUCED IN WHOLE OR IN PART, OR DISCLOSED TO ANYONE ELSE OR USED, WITHOUT THE WRITTEN CONSENT OF EMERSON CLIMATE TECHNOLOGIES, INC.				
		INTERPRET PER ASME Y14.2M-1994 AND EMERSON CLIMATE TECHNOLOGIES, INC. DESIGN STANDARDS AND/OR CUSTOMER SPECIFICATIONS				
		CRITICAL PRODUCT CHARACTERISTICS: THIS IS AN INTERNAL PROTECTION				
		UNLESS OTHERWISE SPECIFIED: DIMENSIONS ARE IN MILLIMETER OR INCHES; TOLERANCES: -PLACES: ± PLACES: ± PLACES: ANGULAR: ± 0.5°				
		N/A	AG	SCALE: 5:8	DATE FORMAT: MM-DD-YY	
		DATE: 05-28-08	SCALE: 5:8	DATE FORMAT: MM-DD-YY		
		TITLE: REF DWG-WELD COMP ASSM	DRAWING NUMBER: 497-0785-00	SHEET 1 OF 1		

UNCONTROLLED - DO NOT MODIFY

	12	11	10	9	8	7	6	5	4	3	2	1	
	PART NO.	MODEL NUMBER	A±3.0	B±3.0	C±3.0	D±3.0	E±3.0	SUCTION FITTING					SPECIFICATIONS
													ES NO. DESCRIPTION
													ES92-155 CONVERSION-METRIC
H	497-0873-00	ZB15KO(E)-***-524 ZB19KO(E)-***-524	363.8 [14.32]	338.3 [13.32]	244.5 [9.63]	202.9 [7.99]	OMIT	F					
	497-0873-01	ZB21KO(E)-***-524	386.4 [15.21]	360.9 [14.21]	264.4 [10.41]	222.8 [8.77]	OMIT	F					
G	497-0873-02	ZB26KO(E)-***-524	400.2 [15.76]	374.6 [14.75]	277.1 [10.91]	235.5 [9.27]	OMIT	F					
	497-0873-03	ZB29KO(E)-***-524	417.8 [16.45]	389.9 [15.35]	294.1 [11.58]	252.5 [9.94]	OMIT	G					
	497-0873-04	ZB15KO(E)-***-558 ZB19KO(E)-***-558	363.8 [14.32]	338.3 [13.32]	244.5 [9.63]	202.9 [7.99]	69.6 [2.74]	F					
F	497-0873-05	ZB21KO(E)-***-558	386.4 [15.21]	360.9 [14.21]	264.4 [10.41]	222.8 [8.77]	64.9 [2.55]	F					
	497-0873-06	ZB26KO(E)-***-558	400.2 [15.76]	372.9 [14.68]	277.1 [10.91]	235.5 [9.27]	77.6 [3.06]	F					
E	497-0873-07	ZB29KO(E)-***-558	417.8 [16.45]	389.9 [15.35]	294.1 [11.58]	252.5 [9.94]	67.4 [2.65]	G					

NOTES:

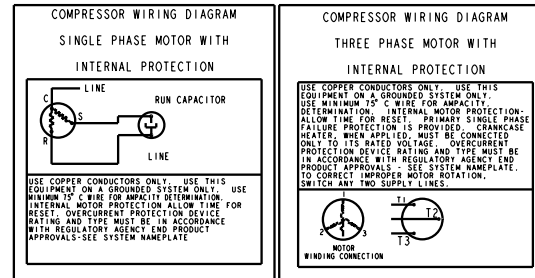
⚠ ALL TOLERANCES ±1.5 (0.06) UNLESS OTHERWISE SPECIFIED.
DUE TO ACCUMULATED ASSEMBLY TOLERANCES THE LISTED COMPONENTS MAY VARY FROM THE MOUNTING HOLES AS SHOWN BELOW:

- ① SUCTION FITTING : ±3.0 (0.12)
- ② DISCHARGE FITTING : ±3.0 (0.12)
- 2. TUBE ENDS MUST BE PLUGGED.
- 3. FOR MORE INFORMATION SEE PRODUCT CATALOG.
- 4. FULL HEIGHT OF COMPRESSOR DOES NOT INCLUDE MOUNTING SPACERS.
- 5. MOUNTING KIT:

GROMMET DUROMETER	4 FOOT KIT
35-45	527-0116-00



③



ENG NOTICE NO.	REV. NO.	REVISIONS	DATE	BY	CHKD	APPD
ECN00140	3	UPDATED WIRING DIAGRAM & ADDED CPC SYMBOL	07-25-11	FY	LJC	CS
ECN002512	2	ADD 1/8 INCH SUCTION FITTING	05-06-01	FY	LJC	SA
ECN001809	1	SEE SHEET 2	08-25-09	FY	LJC	SA
ECN001809	0	RELEASED -00 TO 07	06-05-09	FY	LJC	SA

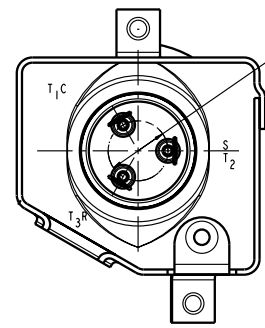
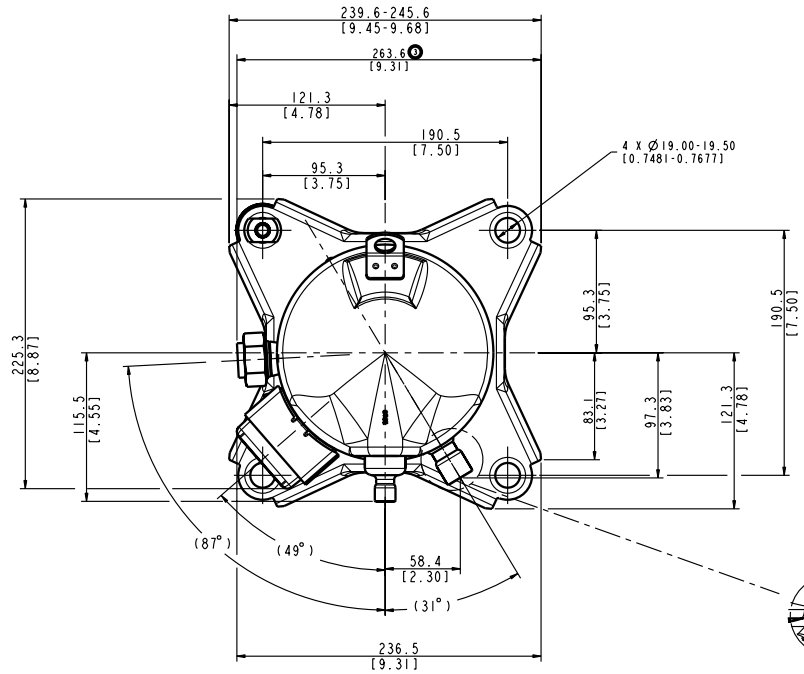


INTERPRET PER ASME Y14.2M-1994 AND EMERSON CLIMATE TECHNOLOGIES, INC. DESIGN STANDARDS. UNLESS OTHERWISE SPECIFIED TOLERANCES ARE MILLIMETER OR (INCH) UNLESS OTHERWISE SPECIFIED TOLERANCES ARE MILLIMETER OR (INCH) UNLESS OTHERWISE SPECIFIED TOLERANCES ARE MILLIMETER OR (INCH) ANGULAR ± 0.5°

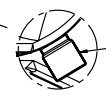
CONFIDENTIALITY NOTICE
THIS DRAWING AND INFORMATION CONTAINED HEREIN ARE THE EXCLUSIVE PROPERTY OF EMERSON CLIMATE TECHNOLOGIES, INC. AND SHALL BE RETURNED UPON DEMAND AND SHALL NOT BE REPRODUCED IN WHOLE OR IN PART, DISCLOSED TO ANYONE ELSE OR USED, WITHOUT THE WRITTEN CONSENT OF EMERSON CLIMATE TECHNOLOGIES, INC.
DATE: 06-05-09
SCALE: 1:2
DATE FORMAT: MM-DD-YY
DRAWING NUMBER: 497-0873-00
SHEET 1 OF 2

UNCONTROLLED - DO NOT MODIFY

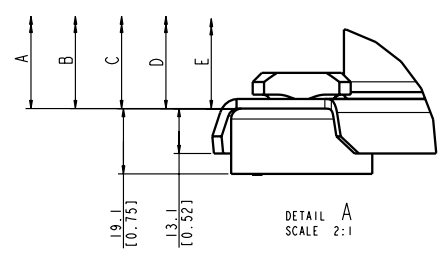
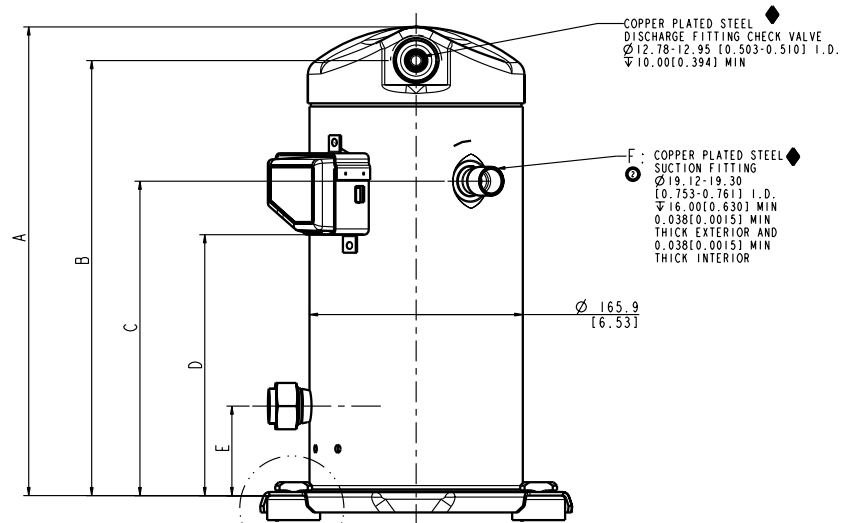
COPYRIGHT EMERSON CLIMATE TECHNOLOGIES, INC. - CONFIDENTIAL



SCALE 2:1



G: COPPER PLATED STEEL SUCTION FITTING
 Ø22.30 - 22.48 [0.8780 - 0.8850] I.D.
 ♣20.40 [0.803] MIN
 0.038[0.0015] MIN THICK EXTERIOR AND 0.038[0.0015] MIN THICK INTERIOR



DETAIL A SCALE 2:1

SEE DETAIL A

SIGHT GLASS



INTERPRET PER ASME Y14.2M-1994 AND EMERSON CLIMATE TECHNOLOGIES, INC. DESIGN STANDARDS AND/OR NO. 001.001.001.001. THIS IS THE FINAL PRODUCTION DRAWING.
 CRITICAL PRODUCT CHARACTERISTICS UNLESS OTHERWISE SPECIFIED DIMENSIONS ARE MILLIMETER OR INCH UNLESS OTHERWISE SPECIFIED
 1-PLACE
 2-PLACE
 ANGULAR ± 0.5°

ENG NOTICE NO.	REV. NO.	REVISIONS	DATE	BY	CHKD	APPD
ECN00140	3	UPDATED SIGHT GLASS ASSEMBLY	07-27-11	FT	LJC	CM
ECN002512	2	ADDED 1/8 INCH SUCTION FITTING	06-01-10	FT	LJC	SK
ECN001809	1	CORRECT THE TYPE ERROR	08-25-09	FT	LJC	SK
ECN001809	0	RELEASED - 00 TO -01	06-05-09	FT	LJC	SK

CONFIDENTIALITY NOTICE
 THIS DRAWING AND INFORMATION CONTAINED HEREIN ARE THE EXCLUSIVE PROPERTY OF EMERSON CLIMATE TECHNOLOGIES, INC. AND SHALL BE RETURNED UPON DEMAND AND SHALL NOT BE REPRODUCED IN WHOLE OR IN PART, DISCLOSED TO ANYONE ELSE OR USED, WITHOUT THE WRITTEN CONSENT OF EMERSON CLIMATE TECHNOLOGIES, INC.
 DRAWN BY: SUPERSEDED DWG. NO. / REV. NO.
 DATE: 06-05-09
 SCALE: 3:4
 DATE FORMAT: MM-DD-YY
 TITLE: REF DWG-WELD COMP ASSM
 DRAWING NUMBER: SHEET 2 OF 2
 497-0873-00

UNCONTROLLED - DO NOT MODIFY

COPYRIGHT EMERSON CLIMATE TECHNOLOGIES, INC. - CONFIDENTIAL