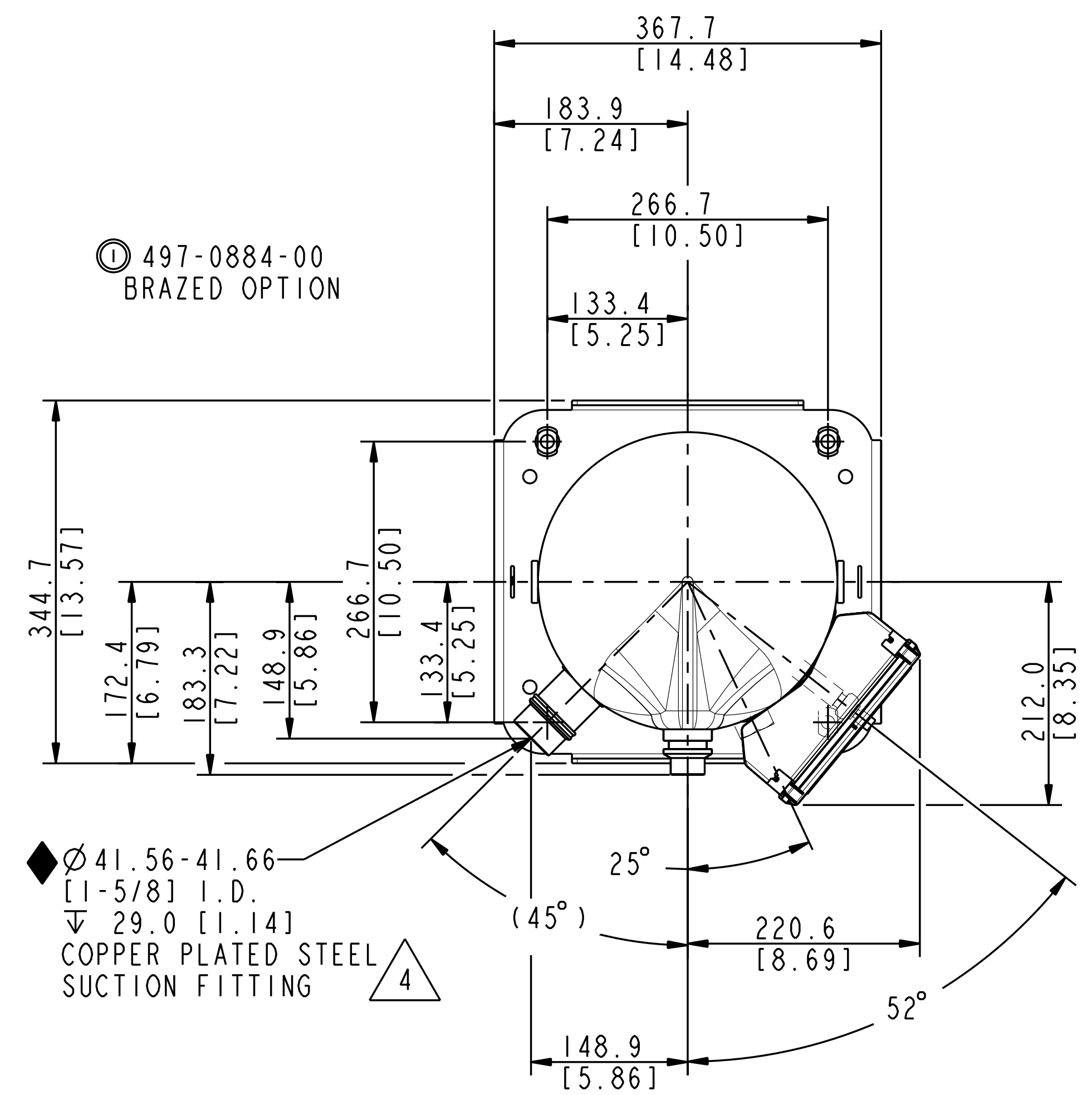


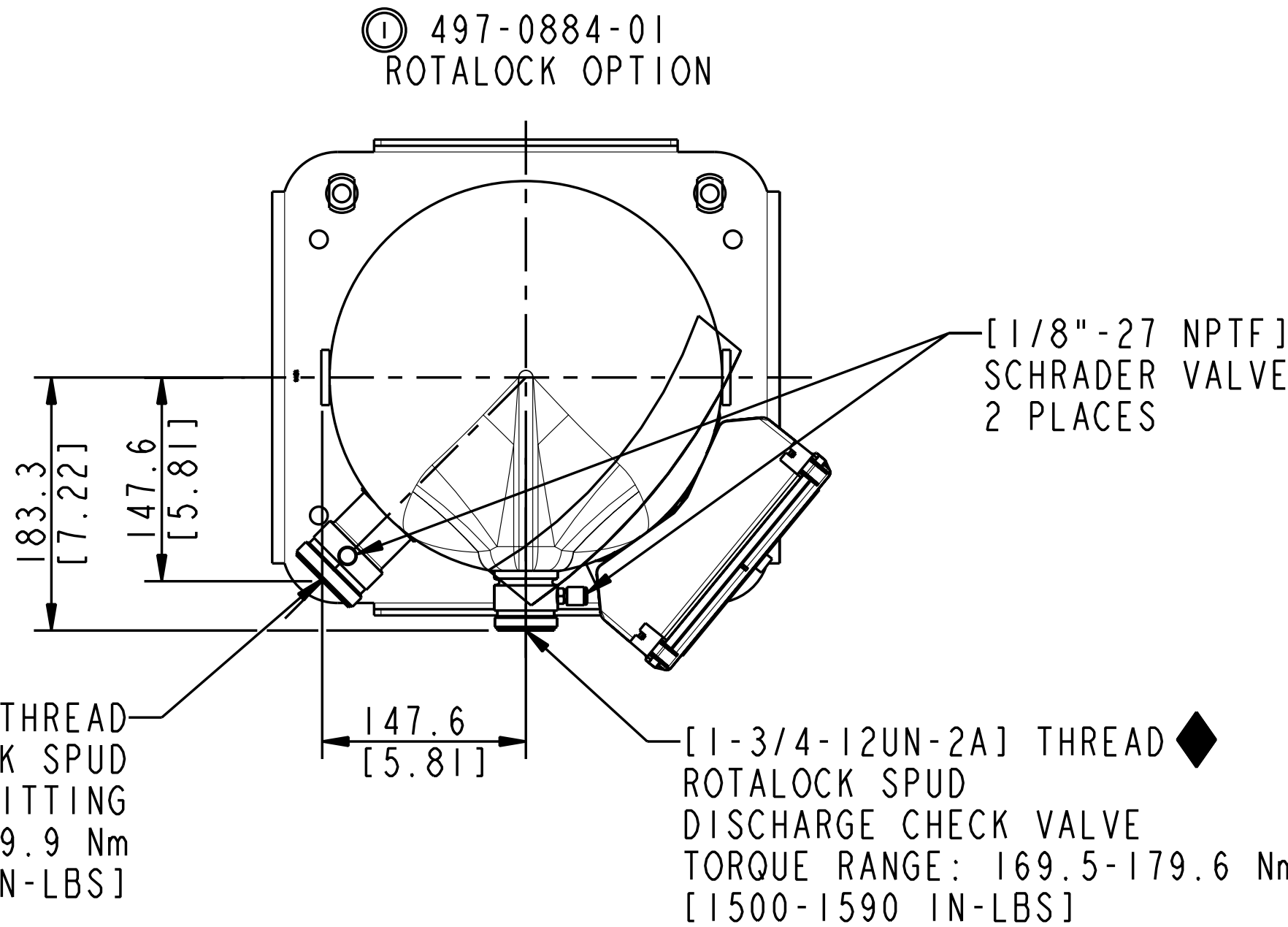
①	PART NUMBER	MODEL NUMBER	CUSTOMER CONNECTION
	497-0884-00	ZP236/296	BRAZED
②	497-0884-01	ZP236/296	ROTALOCK

SPECIFICATIONS	
ES NO.	DESCRIPTION
ES92-155	CONVERSION-METRIC
ES81-340	TORQUE SPEC



① 497-0884-00
BRAZED OPTION

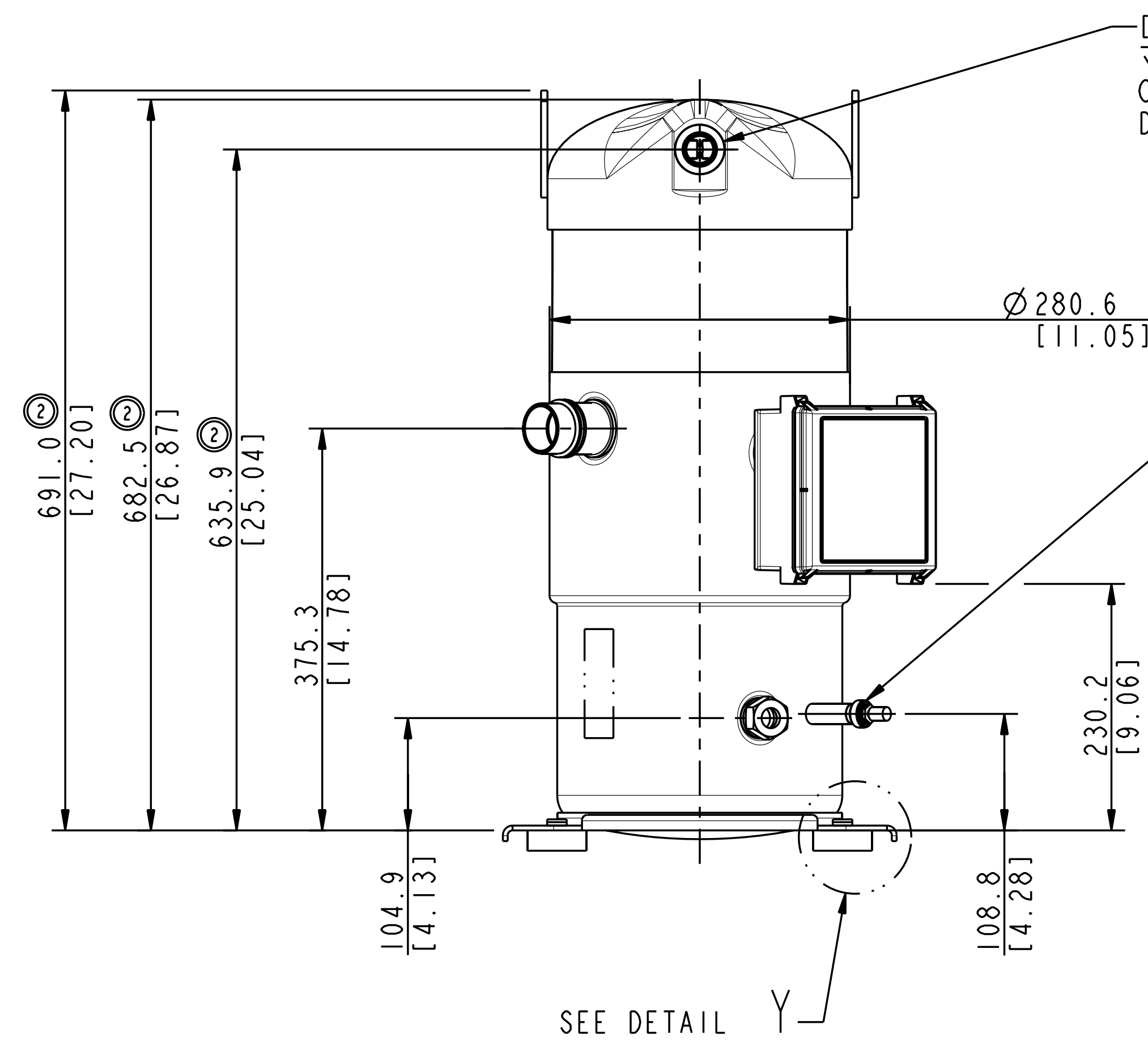
◆ $\varnothing 41.56-41.66$
[1-5/8] I.D.
29.0 [1.14]
COPPER PLATED STEEL
SUCTION FITTING



② 497-0884-01
ROTALOCK OPTION

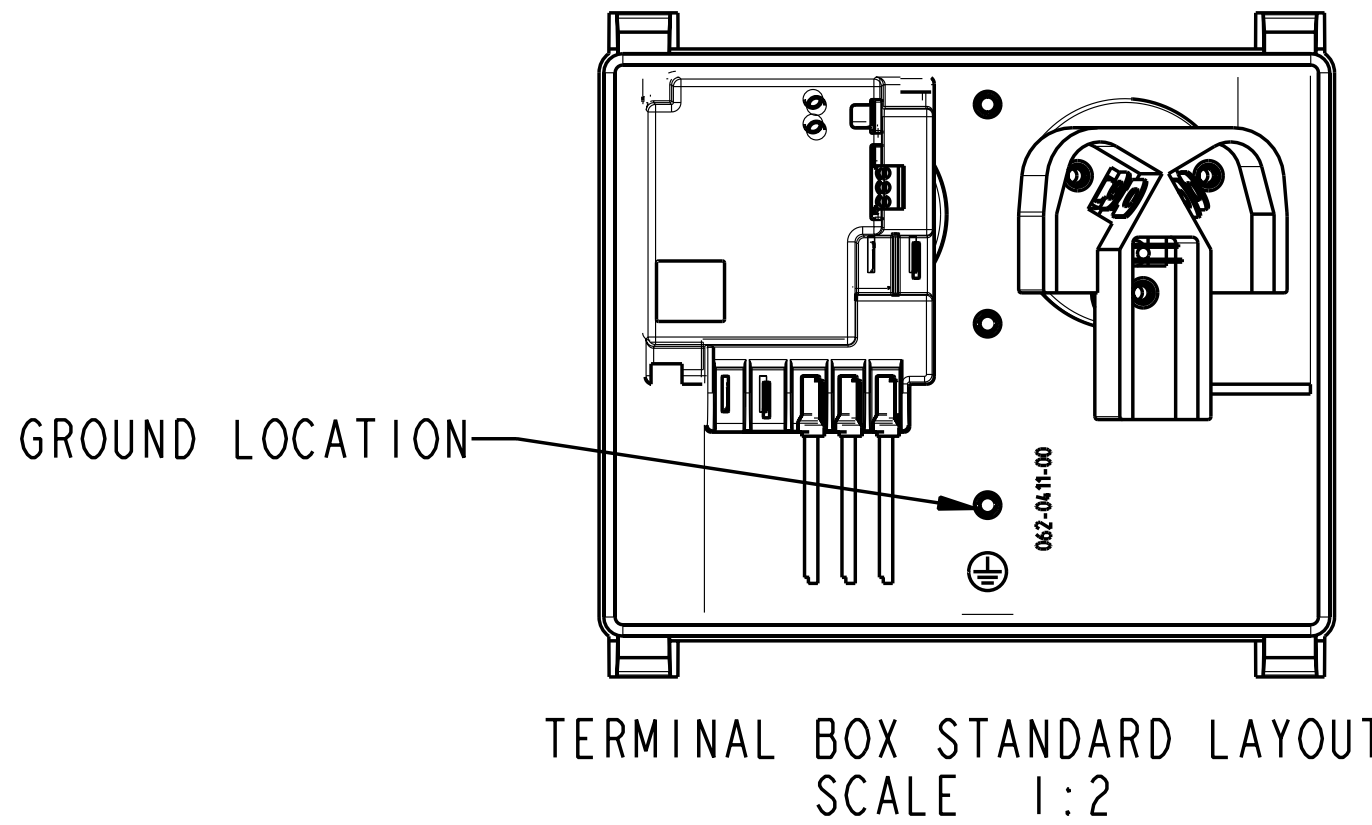
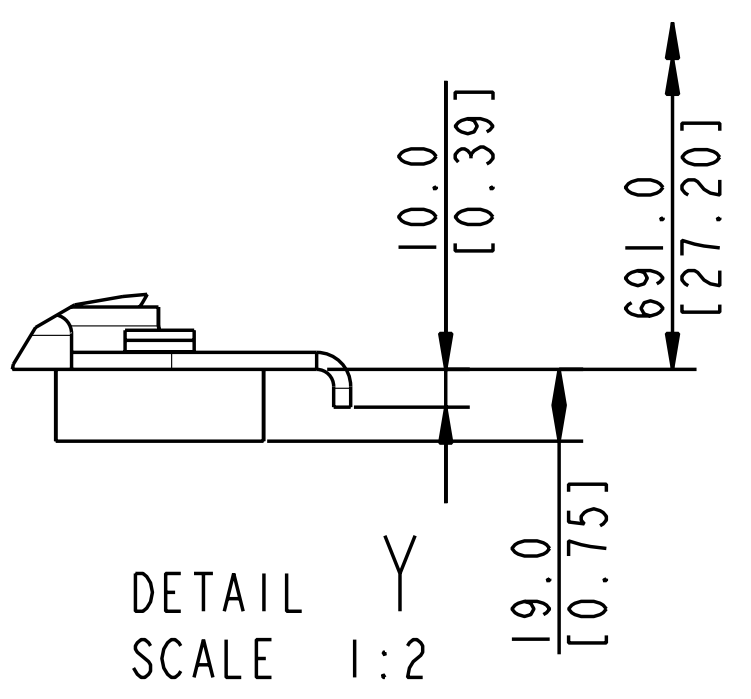
◆ [2-1/4-12UN-2A] THREAD
ROTALOCK SPUD
SUCTION FITTING
TORQUE RANGE: 189.8-199.9 Nm
[1680-1770 IN-LBS]

◆ [1-3/4-12UN-2A] THREAD
ROTALOCK SPUD
DISCHARGE CHECK VALVE
TORQUE RANGE: 169.5-179.6 Nm
[1500-1590 IN-LBS]



◆ [1-1/8] $\varnothing 28.80-28.90$ I.D.
20.0 [0.79]
COPPER PLATED STEEL
DISCHARGE CHECK VALVE

⑤ $\varnothing 9.60-9.78$ ID
[$\varnothing 0.378-0.385$]
9.40 [0.370] MIN
M9 X 1.25-6G 20.0
FITTING DESIGNED TO ALSO ACCEPT ROTALOCK
TPTL OIL EQUALIZATION LINE
1-14 UNS-2A



NOTES:

1 ALL TOLERANCES ± 1.5 [0.06]
UNLESS OTHERWISE SPECIFIED.

DUE TO ACCUMULATED ASSEMBLY TOLERANCES
THE LISTED COMPONENTS MAY VARY FROM
THE MOUNTING HOLES AS TABULATED:

- ◆ ALL FITTINGS: ± 3.0 [0.12]
- 2. MOUNTING KIT: 527-0175-02
- 3. TUBE ENDS MUST BE PLUGGED.

4 0.05 [0.002] MIN. THICK COPPER
PLATED STEEL FITTING.

ALERT CODE (FREQ)	TYPE	EVENT
1	SOLID	LOSS OF FUNCTION
2	TRIP	MOTOR HIGH TEMPERATURE
3	LOCKOUT/TRIP	OPEN / SHORT MOTOR THERMISTOR
4	LOCKOUT	SHORT CYCLING
5	LOCKOUT/TRIP	SCROLL HIGH TEMPERATURE
6	N/A	FUTURE USE
7	LOCKOUT/TRIP	WISSING PHASE
8	LOCKOUT	REVERSE PHASE
9	N/A	FUTURE USE
10	TRIP	MODULE LOW VOLTAGE

SYMBOLS / SYMBOLES / SYMBOLE

1 PROTECTOR MODULE VOLTAGE / TENSION DU MODULE DE PROTECTION / ANSCHLUSSPANNUNG DES SCHUTZGERÄTES

2 TO CONTROL CIRCUIT / VERS LE CIRCUIT DE COMMANDE / ZUM STEUERSTRICHMEIS

3 THERMAL SENSORS DO NOT SHORT / NE PAS PONTER LES CAPTEURS THERMIQUES

4 TEMPERATURE SENSORS MUST BE RECONNECTED

5 PHASE SENSING / DETECTION PHASES / PHASEN ÜBERWACHUNG

USE COPPER CONDUCTORS ONLY FOR IMPACTITY DETERMINATION. USE MINIMUM 75° C WIRE FOR AMPACITY DETERMINATION. USE THIS EQUIPMENT ON A GROUNDING SYSTEM ONLY. PRIMARY SINGLE PHASE FAILURE PROTECTION IS PROVIDED. PROTECTOR MODULE AND OPTIONAL CHAMBER HEATER MUST BE CONNECTED ONLY TO THEIR RATED VOLTAGE. OVERCURRENT PROTECTION DEVICE RATING AND TYPE MUST BE IN ACCORDANCE WITH REGULATORY AGENCY END PRODUCT APPROVALS - SEE SYSTEM NAMEPLATE.

UTILISER SEULEMENT DES CONDUCTEURS EN CUivre. UTILISER UN Fil DE 75° C MINIMUM POUR LA DÉTERMINATION DU COURANT ADMISSIBLE. UTILISER CET ÉQUIPEMENT SEULEMENT SUR UN SYSTÈME MIS À LA TERRE. LA PROTECTION CONTRE LA DÉFAILLANCE DU COURANT PRIMAIRE MONOPHASE EST FOURNIE. LE MODULE DE PROTECTION ET LE CHAUFFEUR DE CHAMBRE OPTIONNEL DOIVENT ÊTRE CONNECTÉS SEULEMENT À LEUR TENSION NOMINALE. LA VALEUR NOMINALE ET LE TYPE DE L'APPAREIL DE PROTECTION DE SURCHAUFFE DOIVENT ÊTRE CONFORMES À LA SPÉCIFICATION DE PRODUIT FINI DE L'ORGANISME DE RÉGULATION - VOIR LA PLAQUE SIGNALÉTIQUE DU SYSTÈME.

WARNING: GREEN FLASHING + PAUSE 2 SEC. EVENT: NORMAL OPERATION. WARNING: RED FLASHING + PAUSE 2 SEC. + SOLID 3 SEC. + PAUSE 2 SEC. EVENT: OPEN / SHORT MOTOR THERMISTOR. FUTURE USE.

DIP SWITCH PURPOSE UP : 1 DOWN : 0

1 L3B UNIQUE ADDRESS RANGE 1 TO 32 (EXAMPLE = 12)

2 S15B RAMP RATE 9.600 15.300

3 COMMUNICATION ENABLE DISABLE

4 TEMP. COMPENSATION ENABLE DISABLE

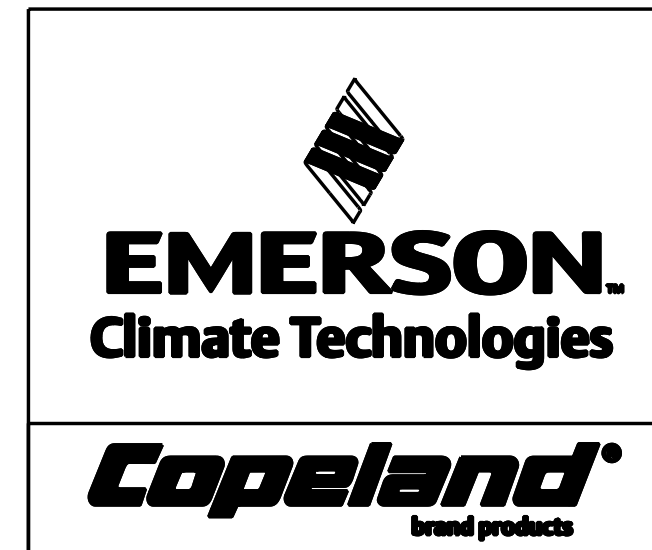
5 SHORT CYCLE PROTECTION

NUR ANFORDERLICHEN VERWEHREN. ZUM BESTIMMUNG DER ZULÄSSIGEN STROMSTÄRKE MÜSSEN NABEL VERWENDET WERDEN. DIE FÜR WINDSTRENG 75° C AUSGELEGT SIND. SETZEN SIE DIESSES GERÄT NUR IN EINER GLEICHEN SYSTEM EIN. SCHWELZ VOR PRIMAIREINLEITUNGSPHASENAUSFALL IST VORHANDEN. DAS SCHWELZMODUL UND DIE OPTIONALE KAMMERHEIZUNG MÜSSEN NUR AN IHR VORGESCHRIEBEN NENNENUNG ANGESCHLOSSEN WERDEN. BEHALTEN SIE DIE TYP DER ÜBERSTROMSCHUTZGERÄTE IN RICHTUNG MÜSSEN DEN ZULÄSSIGKEITEN FÜR ENDPRODUKTE DER AUFSICHTSBEHÖRDEN ENTSPRECHEN. - SYSTEM-TYPENSCHILD BEACHTEN.

11-11 052-2512-00

ECN005689	5	ADDED NOTE CALLOUT	05-18-12	AMJ	NJG	KJR
ECN000249	4	UPDATED WIRING DIAGRAM	12-19-11	NJG	LLB	KJR
ECN000249	3	PICTORIALLY UPDATED: CHG'D MTG FOOT	09-23-11	LLB	NJG	KJR
ECN000249	2	MODIFIED DIMENSIONS	07-28-11	NJG	LLB	KJR
ECN000249	1	REL -01; MODIFIED PART NUMBER TABLE	01-06-11	NJG	CLK	KJR
ECN000249	0	RELEASED	06-04-10	JMW	LLB	KJR

ENG NOTICE NO.	REV. NO.	REVISIONS	DATE	BY	CHKD	APPR
30		CONFIDENTIALITY NOTICE				
THIS DRAWING AND INFORMATION CONTAINED HEREIN ARE THE EXCLUSIVE PROPERTY OF EMERSON CLIMATE TECHNOLOGIES, INC. AND SHALL BE RETURNED UPON DEMAND AND SHALL NOT BE REPRODUCED IN WHOLE OR IN PART, DISCLOSED TO ANYONE ELSE OR USED, WITHOUT THE WRITTEN CONSENT OF EMERSON CLIMATE TECHNOLOGIES, INC.						
MATERIAL SPECIFICATION		DATE	SUPERSEDES DWG. NO. / REV. NO.		DATE FORMAT:	
N/A		06-04-10	G014-497-A020-00 / 0		MM-DD-YY	
TITLE			DRAWING NUMBER		SHEET 1 OF 1	
REF DWG - WELD COMP ASSM			497-0884-00		4	



INTERPRET PER ASME Y14.5M-1994 AND EMERSON CLIMATE TECHNOLOGIES, INC. DESIGN STANDARDS DS2002 DO NOT SCALE DRAWING

THIRD ANGLE PROJECTION

CRITICAL PRODUCT CHARACTERISTIC

UNLESS OTHERWISE SPECIFIED DIMENSIONS ARE MILLIMETER OR (INCH)

TOLERANCES:
1-PLACE \pm
2-PLACE \pm
ANGULAR $\pm 0.5^\circ$