



Compressor  
Voltage Code : XC

# FH4538Z-XC

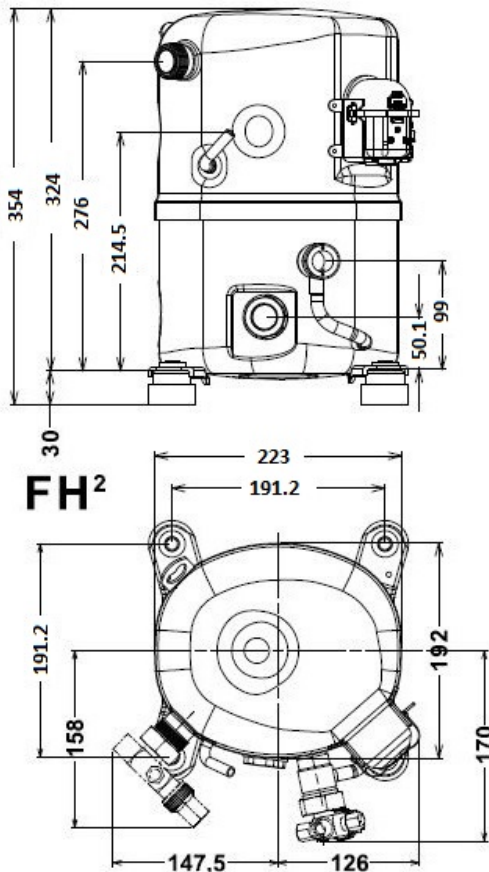
High Temp. Commercial (HP)

220 - 240V 1~ 50 Hz

R452A / R404A / R448A / R449A

# FH4538Z-XC3A

| Conditions          | Frequency | Nominal Cooling Capacity |       | Sound Power<br>ISO3745 / ISO 3743-1 |
|---------------------|-----------|--------------------------|-------|-------------------------------------|
|                     |           | Watts                    | BTU/h |                                     |
| EN12900_MHP / R452A | 50 Hz     | 4846                     | 16525 | 75 dBA                              |
| EN12900_MHP / R404A | 50 Hz     | 4889                     | 16671 | 75 dBA                              |
| EN12900_MHP / R448A | 50 Hz     | 4610                     | 15720 | 75 dBA                              |
| EN12900_MHP / R449A | 50 Hz     | 4610                     | 15720 | 75 dBA                              |



|                                     |                                |
|-------------------------------------|--------------------------------|
| <b>Displacement (cc)</b>            | 63                             |
| <b>Net Weight (Kg)</b>              | 32.0                           |
| <b>Oil Quantity (cc)</b>            | 1140.0                         |
| <b>Oil Type</b>                     | Polyolester                    |
| <b>Expansion Device</b>             | Capillary_Tube/Expansion_Valve |
| <b>Cooling</b>                      | Fan                            |
| <b>Main Winding (Ohm)</b>           | 0.79                           |
| <b>Start Winding (Ohm)</b>          | 2.71                           |
| <b>Current</b>                      |                                |
| RLA (A)                             | 16                             |
| MCC (A)                             | 26                             |
| LRA (A)                             | 78                             |
| <b>Electrical Equipment</b>         | CSR                            |
| <b>Overload</b>                     | Interne                        |
| <b>Start Capacitor</b>              | 145 µF / 330 V                 |
| <b>Run Capacitor</b>                | 50 µF / 400 V                  |
| <b>Potential Relay</b>              | RVA4G**                        |
| Pick Up                             | 180/195V                       |
| Drop Out                            | 40/105V                        |
| <b>Refrigerating connection for</b> |                                |
| Suction Tube                        | 22.2 (7/8")                    |
| Discharge Tube                      | 12.7 (1/2")                    |
| Process Tube                        | 6.35 (1/4")                    |

\* EN12900\_MHP : T°Cond. 45.0°C / T°Evap. -10.0°C / T°Return gas temp.. 20.0°C  
T°Subcooling. 0.0K

**Certificates :**

Note : Tecumseh reserves the right to change information contained in this document without notification.

Selection program - V4.6\_2024205 - 07/29/2024



**Tecumseh**

|                   |   |
|-------------------|---|
| <b>FH4538Z-XC</b> | <b>Tension XC : 220 - 240V 1~ 50 Hz</b> |
|-------------------|---|

Les performances sont données dans les **conditions EN12900\_MHP** :  
 Condition Dew  
 The performance data are in **EN12900\_MHP conditions** :  
 Dew Condition

Gaz aspirés : 20.0 °C  
 Sous refroidissement : 0.0 K  
 Return gas : 20.0 °C  
 Subcooling : 0.0 K

© 2024 Tecumseh Products Company  
All rights reserved

**50 Hz R452A**

**N°User-321**

| 4   T condensation | 5   T évaporation  | (°C)   | -25  | -20  | -15  | -10  | -5   | 0    | 5     | 10    | 15    |
|--------------------|--------------------|--------|------|------|------|------|------|------|-------|-------|-------|
| <b>30</b>          | 1   P frigorifique | (Watt) | 2949 | 3939 | 5088 | 6422 | 7970 | 9756 | 11807 | 14150 | 16812 |
|                    | 2   P absorbée     | (W)    | 1574 | 1773 | 1947 | 2098 | 2228 | 2337 | 2428  | 2503  | 2563  |
|                    | 3   I absorbée     | (A)    | 7.82 | 8.57 | 9.30 | 9.98 | 10.6 | 11.2 | 11.6  | 12.0  | 12.3  |
| <b>40</b>          | 1   P frigorifique | (Watt) |      | 3166 | 4204 | 5386 | 6739 | 8290 | 10065 | 12091 | 14394 |
|                    | 2   P absorbée     | (W)    |      | 1853 | 2094 | 2310 | 2503 | 2675 | 2827  | 2962  | 3080  |
|                    | 3   I absorbée     | (A)    |      | 8.97 | 9.96 | 10.9 | 11.8 | 12.5 | 13.2  | 13.8  | 14.3  |
| <b>50</b>          | 1   P frigorifique | (Watt) |      |      | 3284 | 4297 | 5439 | 6738 | 8219  | 9910  | 11837 |
|                    | 2   P absorbée     | (W)    |      |      | 2172 | 2459 | 2722 | 2963 | 3183  | 3384  | 3568  |
|                    | 3   I absorbée     | (A)    |      |      | 10.3 | 11.6 | 12.8 | 13.9 | 14.9  | 15.8  | 16.5  |
| <b>60</b>          | 1   P frigorifique | (Watt) |      |      |      | 3188 | 4102 | 5132 | 6302  | 7641  | 9175  |
|                    | 2   P absorbée     | (W)    |      |      |      | 2545 | 2885 | 3201 | 3495  | 3769  | 4025  |
|                    | 3   I absorbée     | (A)    |      |      |      | 11.8 | 13.4 | 14.9 | 16.3  | 17.6  | 18.7  |

**50 Hz R404A**

**N°User-320**

| 4   T condensation | 5   T évaporation  | (°C)   | -25  | -20  | -15  | -10  | -5   | 0    | 5     | 10    | 15    |
|--------------------|--------------------|--------|------|------|------|------|------|------|-------|-------|-------|
| <b>30</b>          | 1   P frigorifique | (Watt) | 3111 | 4068 | 5186 | 6490 | 8002 | 9748 | 11751 | 14035 | 16624 |
|                    | 2   P absorbée     | (W)    | 1638 | 1833 | 2003 | 2148 | 2267 | 2360 | 2425  | 2463  | 2472  |
|                    | 3   I absorbée     | (A)    | 8.17 | 8.90 | 9.61 | 10.3 | 10.9 | 11.3 | 11.7  | 11.9  | 11.9  |
| <b>40</b>          | 1   P frigorifique | (Watt) | 2429 | 3306 | 4301 | 5439 | 6742 | 8236 | 9943  | 11889 | 14096 |
|                    | 2   P absorbée     | (W)    | 1669 | 1922 | 2152 | 2360 | 2544 | 2705 | 2841  | 2952  | 3037  |
|                    | 3   I absorbée     | (A)    | 8.38 | 9.33 | 10.3 | 11.2 | 12.0 | 12.7 | 13.4  | 13.9  | 14.2  |
| <b>50</b>          | 1   P frigorifique | (Watt) |      | 2517 | 3374 | 4329 | 5408 | 6633 | 8030  | 9621  | 11431 |
|                    | 2   P absorbée     | (W)    |      | 1960 | 2248 | 2516 | 2764 | 2991 | 3196  | 3378  | 3538  |
|                    | 3   I absorbée     | (A)    |      | 9.53 | 10.7 | 11.9 | 13.0 | 14.1 | 15.0  | 15.8  | 16.5  |
| <b>60</b>          | 1   P frigorifique | (Watt) |      |      | 2438 | 3196 | 4034 | 4976 | 6046  | 7268  | 8665  |
|                    | 2   P absorbée     | (W)    |      |      | 2310 | 2637 | 2946 | 3237 | 3508  | 3760  | 3992  |
|                    | 3   I absorbée     | (A)    |      |      | 10.8 | 12.3 | 13.8 | 15.1 | 16.4  | 17.6  | 18.6  |

1 = cooling capacity 2 = power input 3 = current 4 = condensing temperature 5 = evaporating temperature

**Nota : Tecumseh se réserve le droit de modifier les informations contenues dans ce document sans préavis.**

**Note : Tecumseh reserves the right to change information contained in this document without notification.**



**Tecumseh**

|                   |   |
|-------------------|---|
| <b>FH4538Z-XC</b> | <b>Tension XC : 220 - 240V 1~ 50 Hz</b> |
|-------------------|---|

Les performances sont données dans les **conditions EN12900\_MHP** :  
 Condition Dew  
 The performance data are in **EN12900\_MHP conditions** :  
 Dew Condition

Gaz aspirés : 20.0 °C  
 Sous refroidissement : 0.0 K  
 Return gas : 20.0 °C  
 Subcooling : 0.0 K

© 2024 Tecumseh Products Company  
All rights reserved

### 50 Hz R448A (\*)

**N°User-323**

| 4   T condensation | 5   T évaporation  | (°C)   | -25  | -20  | -15  | -10  | -5   | 0    | 5     | 10    | 15    |
|--------------------|--------------------|--------|------|------|------|------|------|------|-------|-------|-------|
| <b>30</b>          | 1   P frigorifique | (Watt) | 2625 | 3559 | 4664 | 5969 | 7502 | 9292 | 11367 | 13757 | 16489 |
|                    | 2   P absorbée     | (W)    | 1484 | 1665 | 1828 | 1972 | 2094 | 2193 | 2266  | 2311  | 2326  |
|                    | 3   I absorbée     | (A)    | 7.37 | 8.05 | 8.73 | 9.39 | 9.98 | 10.5 | 10.9  | 11.1  | 11.1  |
| <b>40</b>          | 1   P frigorifique | (Watt) |      | 2911 | 3911 | 5075 | 6432 | 8009 | 9836  | 11942 | 14354 |
|                    | 2   P absorbée     | (W)    |      | 1751 | 1970 | 2173 | 2358 | 2522 | 2664  | 2780  | 2870  |
|                    | 3   I absorbée     | (A)    |      | 8.47 | 9.37 | 10.2 | 11.1 | 11.8 | 12.5  | 13.0  | 13.3  |
| <b>50</b>          | 1   P frigorifique | (Watt) |      |      | 3127 | 4140 | 5309 | 6663 | 8231  | 10042 | 12123 |
|                    | 2   P absorbée     | (W)    |      |      | 2063 | 2328 | 2578 | 2811 | 3025  | 3217  | 3386  |
|                    | 3   I absorbée     | (A)    |      |      | 9.81 | 11.0 | 12.1 | 13.2 | 14.2  | 15.0  | 15.7  |
| <b>60</b>          | 1   P frigorifique | (Watt) |      |      |      | 3209 | 4180 | 5300 | 6598  | 8102  | 9842  |
|                    | 2   P absorbée     | (W)    |      |      |      | 2442 | 2761 | 3066 | 3356  | 3627  | 3878  |
|                    | 3   I absorbée     | (A)    |      |      |      | 11.3 | 12.8 | 14.3 | 15.7  | 16.9  | 18.0  |

### 50 Hz R449A (\*)

**N°User-322**

| 4   T condensation | 5   T évaporation  | (°C)   | -25  | -20  | -15  | -10  | -5   | 0    | 5     | 10    | 15    |
|--------------------|--------------------|--------|------|------|------|------|------|------|-------|-------|-------|
| <b>30</b>          | 1   P frigorifique | (Watt) | 2625 | 3559 | 4664 | 5969 | 7502 | 9292 | 11367 | 13757 | 16489 |
|                    | 2   P absorbée     | (W)    | 1484 | 1665 | 1828 | 1972 | 2094 | 2193 | 2266  | 2311  | 2326  |
|                    | 3   I absorbée     | (A)    | 7.37 | 8.05 | 8.73 | 9.39 | 9.98 | 10.5 | 10.9  | 11.1  | 11.1  |
| <b>40</b>          | 1   P frigorifique | (Watt) |      | 2911 | 3911 | 5075 | 6432 | 8009 | 9836  | 11942 | 14354 |
|                    | 2   P absorbée     | (W)    |      | 1751 | 1970 | 2173 | 2358 | 2522 | 2664  | 2780  | 2870  |
|                    | 3   I absorbée     | (A)    |      | 8.47 | 9.37 | 10.2 | 11.1 | 11.8 | 12.5  | 13.0  | 13.3  |
| <b>50</b>          | 1   P frigorifique | (Watt) |      |      | 3127 | 4140 | 5309 | 6663 | 8231  | 10042 | 12123 |
|                    | 2   P absorbée     | (W)    |      |      | 2063 | 2328 | 2578 | 2811 | 3025  | 3217  | 3386  |
|                    | 3   I absorbée     | (A)    |      |      | 9.81 | 11.0 | 12.1 | 13.2 | 14.2  | 15.0  | 15.7  |
| <b>60</b>          | 1   P frigorifique | (Watt) |      |      |      | 3209 | 4180 | 5300 | 6598  | 8102  | 9842  |
|                    | 2   P absorbée     | (W)    |      |      |      | 2442 | 2761 | 3066 | 3356  | 3627  | 3878  |
|                    | 3   I absorbée     | (A)    |      |      |      | 11.3 | 12.8 | 14.3 | 15.7  | 16.9  | 18.0  |

1 = cooling capacity 2 = power input 3 = current 4 = condensing temperature 5 = evaporating temperature

(\*) Veuillez vous référer strictement aux Recommandations d'Utilisation et Bulletins Marketing Tecumseh du fait de la température de refoulement élevée pour les applications LBP.

(\*) Due to very high discharge temperature especially on LBP conditions, please strictly refer to Tecumseh Guidelines & Marketing Bulletin when using this refrigerant.

**Nota : Tecumseh se réserve le droit de modifier les informations contenues dans ce document sans préavis.**

**Note : Tecumseh reserves the right to change information contained in this document without notification.**