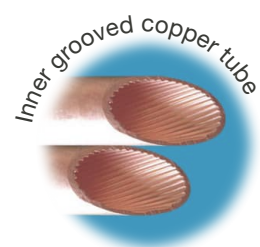


HEA-F SERIES EVAPORATOR EVAPORADORES SERIE HEA-F

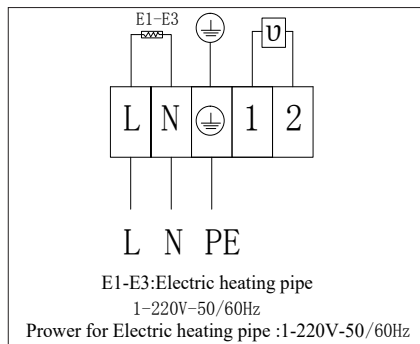


2024 EDITION

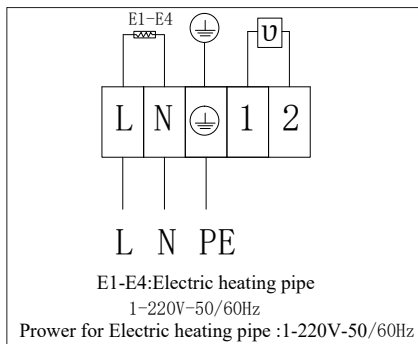
HEA-F SERIES EVAPORATOR

EVAPORADORES SERIE HEA-F

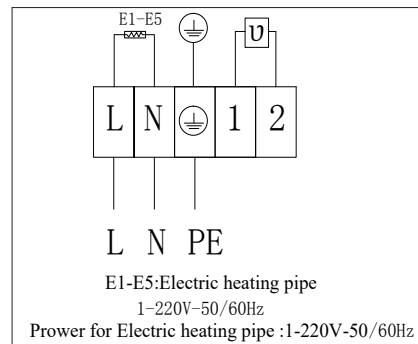
Defrost heating circuit diagram:/ Diagrama del circuito de calentamiento de descongelamiento:



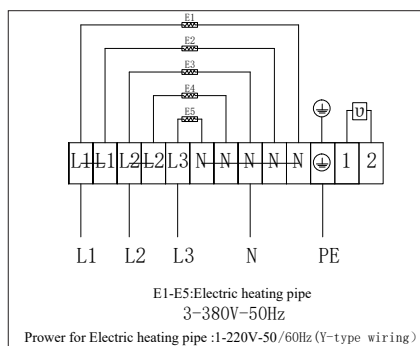
HEA 250 D



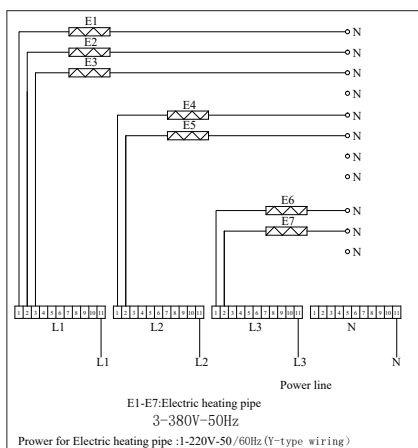
HEA 300 D



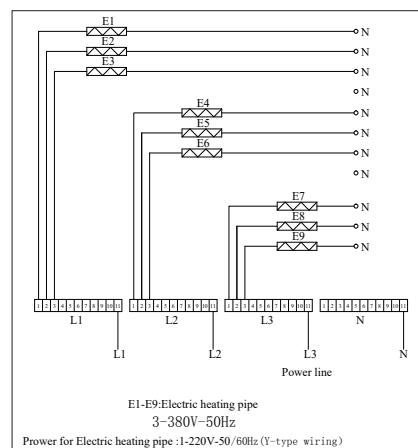
HEA 350/400 D



HEA 400/450 D

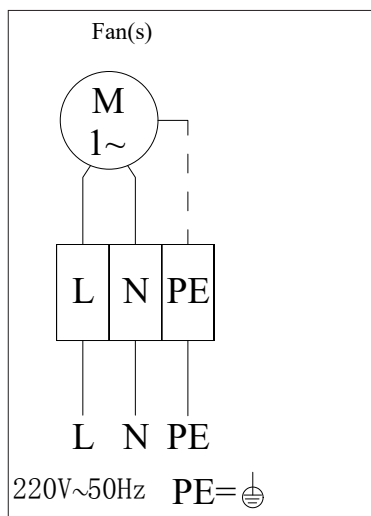


HEA 500 D (4R)



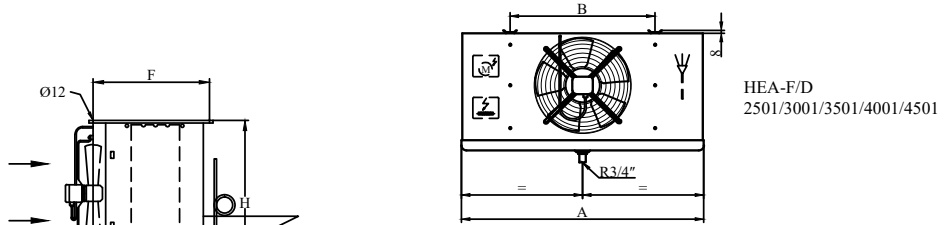
HEA 500 D (6R)

Fan motor circuit diagram:/ Diagrama del circuito del motor del ventilador:

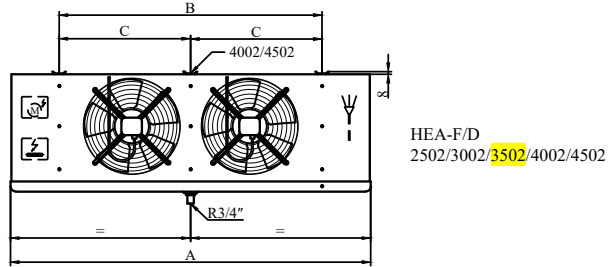


HEA-F SERIES EVAPORATOR

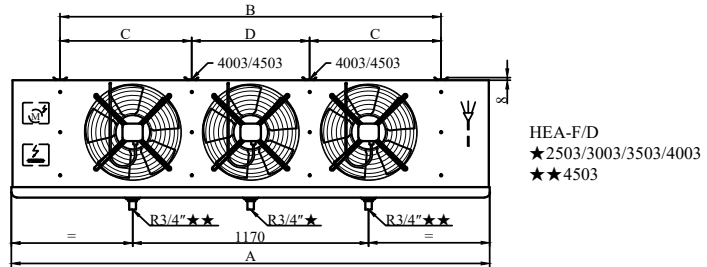
EVAPORADORES SERIE HEA-F



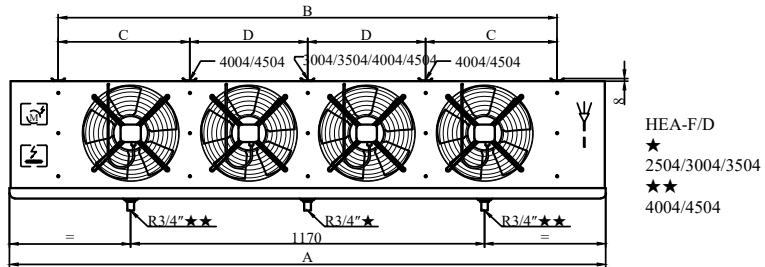
HEA-F/D
2501/3001/3501/4001/4501



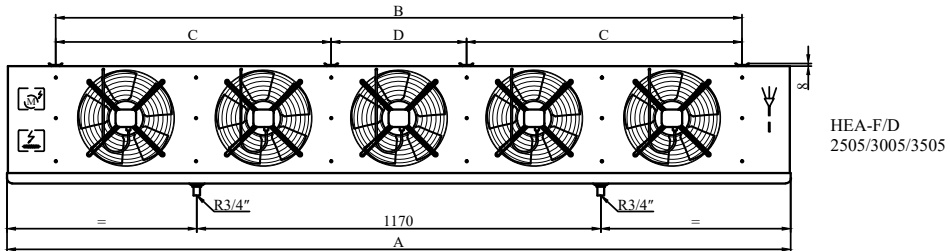
HEA-F/D
2502/3002/3502/4002/4502



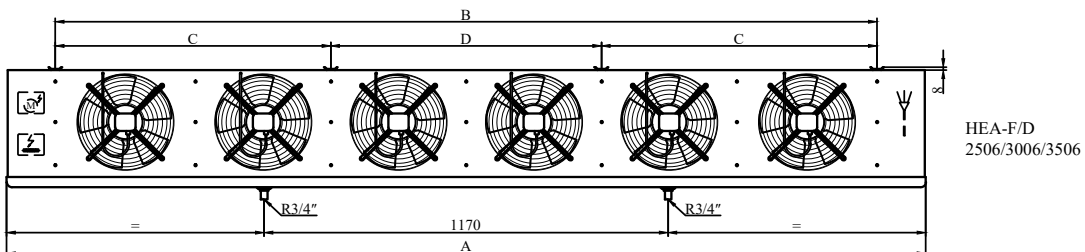
HEA-F/D
★ 2503/3003/3503/4003
★★ 4503



HEA-F/D
★ 2504/3004/3504
★★ 4004/4504



HEA-F/D
2505/3005/3505



HEA-F/D
2506/3006/3506

HEA-F SERIES EVAPORATOR

EVAPORADORES SERIE HEA-F

Model / Modelo	Dimensions/Dimensiones(mm)							
	A	B	C	D	E	F	H	
HEA-F 2501...	702	420			325	375	350	
HEA-F 2502...	1094	812			325	375	350	
HEA-F 2503...	1486	1204			325	375	350	
HEA-F 2504...	1878	1596	798		325	375	350	
HEA-F 2505...	2270	1988	798	392	325	375	360	
HEA-F 2506...	2662	2380	798	784	325	375	360	
HEA-F 3001...	702	420			325	375	460	
HEA-F 3002...	1094	812			325	375	460	
HEA-F 3003...	1486	1204			325	375	460	
HEA-F 3004...	1878	1596	798		325	375	460	
HEA-F 3005...	2270	1988	798	392	325	375	470	
HEA-F 3006...	2662	2380	798	784	325	375	470	
HEA-F 3501...	702	420			455	507	460	
HEA-F 3502...	1094	812			455	507	460	
HEA-F 3503...	1486	1204			455	507	460	
HEA-F 3504...	1878	1596	798		455	507	460	
HEA-F 3505...	2270	1988	798	392	455	507	470	
HEA-F 3506...	2662	2380	798	784	455	507	470	
HEA-F 4001...	912	630			325	375	530	
HEA-F 4002...	1486	1204	602		325	375	530	
HEA-F 4003...	1878	1596	546	504	325	375	530	
HEA-F 4004...	2662	2380	595	595	325	375	540	
HEA-F 4501...	1094	812			325	375	600	
HEA-F 4502...	1878	1596	798		325	375	600	
HEA-F 4503...	2662	2380	798	784	325	375	610	
HEA-F 4504...	3446	3164	798	784	325	375	610	
HEA-F 5001...	1165	850						
HEA-F 5002...	2015	1700	850					
HEA-F 5003...	2865	2550	850	850				
HEA-F 5004...	3715	3400	850	850			450	760

HEA-F SERIES EVAPORATOR

EVAPORADORES SERIE HEA-F

Fin spacing, Espacio entre aletas 6 mm, with heater/ Con resistencia, Rt_e≥-18°C

Model / Modelo	Capacidad / Nominal Capacity (kw)		Capacity / Capacidad (kw)		Superficie/ Surface (m ²)	Tube Volume/ Volumen Interno (dm ³)	N.W/ Peso Neto (kg)	Connection/ Conexión (ø mm)	
	t _e = -8°C	t _e = -25°C	t _e = -8°C	t _e = -25°C				Inlet/ Entrada	Outlet/ Salida
	DT1=8K	DT1=7K	DT1=8K	DT1=7K					
HEA-F 2501 06 6D	1.29	0.82	1.12	0.78	5.7	1.4	11.8	12	16
HEA-F 2502 11 6D	2.60	1.69	2.26	1.61	11.5	2.8	20.2	12	19
HEA-F 2503 17 6D	3.92	2.56	3.41	2.44	17.3	4.2	28.5	12	22
HEA-F 2504 23 6D	5.21	3.43	4.53	3.27	23.0	5.6	37.1	12	22
HEA-F 2505 29 6D	6.58	4.38	5.72	4.17	28.8	7.0	45.4	15	28
HEA-F 2506 35 6D	7.89	5.20	6.86	4.95	34.5	8.5	53.8	15	28
HEA-F 3001 08 6D	2.36	1.61	2.05	1.53	7.6	1.9	14.2	12	19
HEA-F 3002 15 6D	4.77	3.27	4.15	3.11	15.3	3.8	24.6	12	22
HEA-F 3003 23 6D	7.19	4.94	6.25	4.70	23.0	5.6	34.9	12	22
HEA-F 3004 31 6D	9.60	6.29	8.35	5.99	30.7	7.5	45.2	15	28
HEA-F 3005 38 6D	12.08	8.01	10.50	7.63	38.4	9.4	55.4	15	28
HEA-F 3006 46 6D	14.31	9.18	12.44	8.74	46.1	11.3	65.6	15	28
HEA-F 3501 10 6D	3.13	2.19	2.72	2.09	9.6	2.3	18.0	12	19
HEA-F 3502 19 6D	6.31	4.45	5.49	4.24	19.2	4.7	31.9	12	22
HEA-F 3503 28 6D	9.65	6.37	8.39	6.07	28.8	7.0	45.8	15	22
HEA-F 3504 38 6D	12.89	8.91	11.21	8.49	38.4	9.4	59.7	15	28
HEA-F 3505 48 6D	16.16	10.73	14.05	10.22	48.0	11.7	73.6	15	35
HEA-F 3506 57 6D	19.08	12.22	16.59	11.64	57.6	14.1	87.5	15	35
HEA-F 4001 13 6D	4.44	3.06	3.86	2.91	13.7	3.4	22.8	12	19
HEA-F 4002 27 6D	8.89	6.05	7.73	5.76	26.8	6.6	40.9	12	28
HEA-F 4003 36 6D	12.40	8.02	10.78	7.64	35.8	8.8	55.3	15	28
HEA-F 4004 54 6D	17.85	12.19	15.52	11.61	53.7	13.2	77.5	15	35
HEA-F 4501 20 6D	6.96	4.48	6.05	4.27	20.4	5.0	29.7	12	22
HEA-F 4502 41 6D	14.11	9.16	12.27	8.72	40.9	10.0	54.2	15	28
HEA-F 4503 61 6D	21.30	14.62	18.52	13.92	61.4	15.0	78.6	15	35
HEA-F 4504 82 6D	28.41	18.49	24.70	17.61	81.9	20.0	103.1	22	42
HEA-F 5001 26 6D	8.84	5.65	7.69	5.38	26.0	6.4	50.5	15	28
HEA-F 5001 39 6D	11.75	8.09	10.22	7.70	39.0	9.5	59.3	15	28
HEA-F 5001 52 6D	13.82	9.11	12.02	8.68	51.9	12.7	59.1	22	35
HEA-F 5002 54 6D	18.22	11.66	15.84	11.10	53.7	13.2	92.6	22	35
HEA-F 5002 81 6D	24.46	16.52	21.27	15.73	80.6	19.7	110.5	22	35
HEA-F 5002 108 6D	28.45	18.83	24.74	17.93	107.5	26.3	119.5	28	54
HEA-F 5003 82 6D	28.01	18.94	24.36	18.04	82.3	20.1	134.9	28	42
HEA-F 5003 122 6D	36.49	23.01	31.73	21.91	123.5	30.2	162.2	28	42
HEA-F 5003 163 6D	43.10	29.24	37.48	27.85	163	39.9	181.5	28	76
HEA-F 5004 109 6D	36.97	23.68	32.15	22.55	109.3	26.7	156	28	54
HEA-F 5004 164 6D	49.38	31.89	42.94	30.37	163.9	40.1	198.8	28	67
HEA-F 5004 219 6D	57.70	38.23	50.17	36.41	218.5	53.5	239.6	35	76

*Marks: Optional model without heater available / Nota: Modelo opcional sin el calentador disponible.

*Evaporator for Glycol available / Evaporador con glicol disponible.

*Golden fins with highly anti-corrosion strength available / Aleta goldfin con alta resistencia a la corrosión disponible.

*Double trays available / Bandeja doble disponible.

*Fan shroud heater for versions with long nozzle are available / Resistencia de gel de sílice para motor de ventilador con boquilla larga disponible.

HEA-F SERIES EVAPORATOR

EVAPORADORES SERIE HEA-F

Electric data/ Datos eléctricos

Model/ Model	Axial Fans/ Ventilador con motor axial							Electric Defrost/ Desescarche Eléctrico		
	Diameter Diámetro (Φ mm)	Nº	Voltage/ Voltaje (V, 50Hz)	Power/ Potencia (W)	Current/ Intensidad (A)	Air Flow/ Volumen de Aire (m³/h)	Air Throw/ Tiro de Aire (m)	Coil/ Aletas (W)	Drain Pan/ Desagüe (W)	Total (W)
HEA-F 2501 06 6D	250	1	1~ 220	44	0.2	610	4	2 × 440	1 × 440	1320
HEA-F 2502 11 6D	250	2	1~ 220	88	0.4	1220	5	2 × 730	1 × 730	2190
HEA-F 2503 17 6D	250	3	1~ 220	132	0.6	1830	6	2 × 1030	1 × 1030	3090
HEA-F 2504 23 6D	250	4	1~ 220	176	0.8	2440	7	2 × 1310	1 × 1310	3930
HEA-F 2505 29 6D	250	5	1~ 220	220	1.0	3050	8	2 × 1600	1 × 1600	4800
HEA-F 2506 35 6D	250	6	1~ 220	264	1.2	3660	10	2 × 1890	1 × 1890	5670
HEA-F 3001 08 6D	300	1	1~ 220	72	0.3	1412	6	3 × 440	1 × 440	1760
HEA-F 3002 15 6D	300	2	1~ 220	144	0.6	2827	7	3 × 730	1 × 730	2920
HEA-F 3003 23 6D	300	3	1~ 220	216	1.0	4242	9	3 × 1030	1 × 1030	4120
HEA-F 3004 31 6D	300	4	1~ 220	288	1.3	5653	11	3 × 1310	1 × 1310	5240
HEA-F 3005 38 6D	300	5	1~ 220	360	1.5	7067	13	3 × 1600	1 × 1600	6400
HEA-F 3006 46 6D	300	6	1~ 220	432	1.9	8478	15	3 × 1890	1 × 1890	7560
HEA-F 3501 10 6D	350	1	1~ 220	130	0.6	1740	10	4 × 440	2 × 440	2640
HEA-F 3502 19 6D	350	2	1~ 220	260	1.2	3485	14	4 × 730	2 × 730	4380
HEA-F 3503 28 6D	350	3	1~ 220	390	1.7	5222	16	4 × 1030	2 × 1030	6180
HEA-F 3504 38 6D	350	4	1~ 220	520	2.3	6969	20	4 × 1310	2 × 1310	7860
HEA-F 3505 48 6D	350	5	1~ 220	650	3.0	8706	22	4 × 1600	2 × 1600	9600
HEA-F 3506 57 6D	350	6	1~ 220	780	3.5	10444	24	4 × 1890	2 × 1890	11340
HEA-F 4001 13 6D	400	1	1~ 220	160	0.7	2768	11	4 × 550	1 × 550	2750
HEA-F 4002 27 6D	400	2	1~ 220	320	1.5	5506	14	4 × 1030	1 × 1030	5150
HEA-F 4003 36 6D	400	3	1~ 220	480	2.2	8012	16	4 × 1310	1 × 1310	6550
HEA-F 4004 54 6D	400	4	1~ 220	640	2.9	11014	19	4 × 1890	1 × 1890	9450
HEA-F 4501 20 6D	450	1	3~ 380	460	1.0	4542	15	4 × 730	1 × 730	3650
HEA-F 4502 41 6D	450	2	3~ 380	920	1.9	9086	18	4 × 1310	1 × 1310	6550
HEA-F 4503 61 6D	450	3	3~ 380	1380	2.9	13638	22	4 × 1890	1 × 1890	9450
HEA-F 4504 82 6D	450	4	3~ 380	1840	4.0	18176	24	4 × 2470	1 × 2470	12350
HEA-F 5001 26 6D	500	1	3~ 380	820	1.6	5782	24	6 × 730	1 × 730	5110
HEA-F 5001 39 6D	500	1	3~ 380	820	1.6	5442	21	7 × 730	2 × 730	6570
HEA-F 5001 52 6D	500	1	3~ 380	820	1.6	5089	18	8 × 730	2 × 730	7300
HEA-F 5002 54 6D	500	2	3~ 380	1640	3.2	11642	24	6 × 1400	1 × 1400	9800
HEA-F 5002 81 6D	500	2	3~ 380	1640	3.2	11005	20	7 × 1400	2 × 1400	12600
HEA-F 5002 108 6D	500	2	3~ 380	1640	3.2	10319	16	8 × 1400	2 × 1400	14000
HEA-F 5003 82 6D	500	3	3~ 380	2460	4.8	17538	29	6 × 2050	1 × 2050	14350
HEA-F 5003 122 6D	500	3	3~ 380	2460	4.8	16607	24	7 × 2050	2 × 2050	18450
HEA-F 5003 163 6D	500	3	3~ 380	2460	4.8	15551	19	8 × 2050	2 × 2050	20500
HEA-F 5004 109 6D	500	4	3~ 380	3280	6.4	23357	34	6 × 3390	1 × 3390	23730
HEA-F 5004 164 6D	500	4	3~ 380	3280	6.4	22120	29	7 × 3390	2 × 3390	30510
HEA-F 5004 219 6D	500	4	3~ 380	3280	6.4	20774	24	8 × 3390	2 × 3390	33900

HEA-F SERIES EVAPORATOR

EVAPORADORES SERIE HEA-F

