



Compressor
Voltage Code : FZ

AJ4492N-FZ

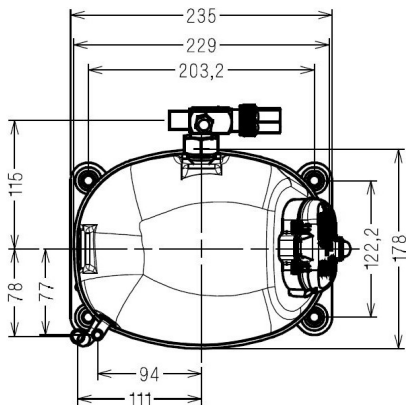
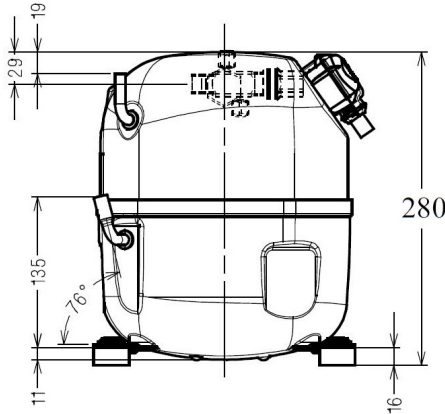
High Temp. Commercial (HP)

220 - 240V 1~ 50 Hz

R1234yf / R134a / R513A

AJ4492N-FZ1B

| Conditions | Frequency | Nominal Cooling Capacity | | Sound Power ISO3745 / ISO 3743-1 |
|----------------------|-----------|--------------------------|-------|-------------------------------------|
| | | Watts | BTU/h | |
| EN12900_HP / R1234yf | 50 Hz | 2036 | 6942 | 58 dBA |
| EN12900_HP / R134a | 50 Hz | 2108 | 7187 | 58 dBA |
| EN12900_HP / R513A | 50 Hz | 2134 | 7277 | 58 dBA |



* EN12900_HP : T°Cond. 50.0°C / T°Evap. 5.0°C / T°Return gas temp.. 20.0°C
T°Subcooling. 0.0K

Certificates :



| | |
|-------------------------------------|--------------------------------|
| Displacement (cc) | 25,95 |
| Net Weight (Kg) | 19.8 |
| Oil Quantity (cc) | 475.0 |
| Oil Type | Polyolester |
| Expansion Device | Capillary_Tube/Expansion_Valve |
| Cooling | Fan |
| Main Winding (Ohm) | 2.9 |
| Start Winding (Ohm) | 12.8 |
| Current | |
| RLA (A) | 5.9 |
| MCC (A) | 9 |
| LRA (A) | 28 |
| Electrical Equipment | CSIR |
| Overload | MST18AIN |
| Time Check | 7.5s - 14s / 20.7 A |
| Open Temp | 120° C |
| Close Temp | 69° C |
| Optional | T0750 |
| Start Capacitor | 64 µF / 330 V |
| Potential Relay | RVA4G** |
| Pick Up | 180/195V |
| Drop Out | 40/105V |
| Optional | / |
| Refrigerating connection for | |
| Suction Tube | 15.9 (5/8") |
| Discharge Tube | 7.9 (5/16") |
| Process Tube | 6.35 (1/4") |

Note : Tecumseh reserves the right to change information contained in this document without notification.

Selection program - V4.6_2023296 - 11/19/2023





Tecumseh

| | |
|-------------------|---|
| AJ4492N-FZ | Tension FZ : 220 - 240V 1~ 50 Hz |
|-------------------|---|

Les performances sont données dans les **conditions EN12900_HP** :
 Condition Dew
 The performance data are in **EN12900_HP conditions** :
 Dew Condition

Gaz aspirés : 20.0 °C
 Sous refroidissement : 0.0 K
 Return gas : 20.0 °C
 Subcooling : 0.0 K

| 50 Hz R1234yf | | | | | | | | | | | |
|---|--------------------|--------|------|------|------|------|------|------|------|------|------|
|  N°284LS-FZ | | | | | | | | | | | |
| 4 T condensation | 5 T évaporation | (°C) | -25 | -20 | -15 | -10 | -5 | 0 | 5 | 10 | 15 |
| 30 | 1 P frigorifique | (Watt) | 659 | 911 | 1197 | 1522 | 1896 | 2323 | 2811 | 3368 | 3999 |
| | 2 P absorbée | (W) | 461 | 526 | 581 | 629 | 673 | 717 | 764 | 818 | 881 |
| | 3 I absorbée | (A) | 4.01 | 4.20 | 4.37 | 4.52 | 4.67 | 4.80 | 4.92 | 5.02 | 5.12 |
| 40 | 1 P frigorifique | (Watt) | 483 | 724 | 989 | 1287 | 1623 | 2004 | 2437 | 2930 | 3489 |
| | 2 P absorbée | (W) | 438 | 533 | 613 | 682 | 744 | 802 | 859 | 919 | 985 |
| | 3 I absorbée | (A) | 3.88 | 4.16 | 4.42 | 4.68 | 4.92 | 5.15 | 5.36 | 5.57 | 5.76 |
| 50 | 1 P frigorifique | (Watt) | | 529 | 771 | 1036 | 1330 | 1661 | 2036 | 2461 | 2943 |
| | 2 P absorbée | (W) | | 503 | 616 | 714 | 801 | 881 | 956 | 1030 | 1106 |
| | 3 I absorbée | (A) | | 4.05 | 4.42 | 4.77 | 5.11 | 5.43 | 5.74 | 6.04 | 6.33 |
| 60 | 1 P frigorifique | (Watt) | | | 557 | 785 | 1034 | 1311 | 1622 | 1975 | 2376 |
| | 2 P absorbée | (W) | | | 580 | 715 | 836 | 945 | 1045 | 1141 | 1236 |
| | 3 I absorbée | (A) | | | 4.34 | 4.79 | 5.23 | 5.65 | 6.06 | 6.46 | 6.84 |

| 50 Hz R134a | | | | | | | | | | | |
|--|--------------------|--------|------|------|------|------|------|------|------|------|------|
|  N°284LS-FZA | | | | | | | | | | | |
| 4 T condensation | 5 T évaporation | (°C) | -25 | -20 | -15 | -10 | -5 | 0 | 5 | 10 | 15 |
| 30 | 1 P frigorifique | (Watt) | 592 | 828 | 1113 | 1455 | 1864 | 2348 | 2915 | 3574 | 4334 |
| | 2 P absorbée | (W) | 415 | 479 | 536 | 588 | 636 | 680 | 723 | 764 | 804 |
| | 3 I absorbée | (A) | 4.32 | 4.39 | 4.47 | 4.58 | 4.70 | 4.85 | 5.01 | 5.20 | 5.40 |
| 40 | 1 P frigorifique | (Watt) | 441 | 664 | 925 | 1230 | 1590 | 2013 | 2507 | 3081 | 3744 |
| | 2 P absorbée | (W) | 397 | 483 | 562 | 634 | 701 | 763 | 823 | 880 | 935 |
| | 3 I absorbée | (A) | 4.23 | 4.37 | 4.53 | 4.71 | 4.91 | 5.13 | 5.37 | 5.62 | 5.90 |
| 50 | 1 P frigorifique | (Watt) | | 480 | 722 | 996 | 1313 | 1681 | 2108 | 2603 | 3174 |
| | 2 P absorbée | (W) | | 455 | 560 | 657 | 748 | 834 | 915 | 993 | 1068 |
| | 3 I absorbée | (A) | | 4.32 | 4.55 | 4.81 | 5.08 | 5.37 | 5.69 | 6.02 | 6.37 |
| 60 | 1 P frigorifique | (Watt) | | | 499 | 748 | 1028 | 1346 | 1711 | 2133 | 2619 |
| | 2 P absorbée | (W) | | | 524 | 652 | 772 | 886 | 994 | 1098 | 1198 |
| | 3 I absorbée | (A) | | | 4.55 | 4.87 | 5.22 | 5.59 | 5.97 | 6.38 | 6.81 |

1 = cooling capacity 2 = power input 3 = current 4 = condensing temperature 5 = evaporating temperature

Nota : Tecumseh se réserve le droit de modifier les informations contenues dans ce document sans préavis.
Note : Tecumseh reserves the right to change information contained in this document without notification.

© 2023 Tecumseh Products Company
All rights reserved



Tecumseh

| | |
|-------------------|---|
| AJ4492N-FZ | Tension FZ : 220 - 240V 1~ 50 Hz |
|-------------------|---|

Les performances sont données dans les **conditions EN12900_HP** :
 Condition Dew
 Gaz aspirés : 20.0 °C
 Sous refroidissement : 0.0 K

The performance data are in **EN12900_HP conditions** :
 Dew Condition
 Return gas : 20.0 °C
 Subcooling : 0.0 K

50 Hz R513A

N°3304

| 4 T condensation | 5 T évaporation | (°C) | -25 | -20 | -15 | -10 | -5 | 0 | 5 | 10 | 15 |
|--------------------|--------------------|--------|------|------|------|------|------|------|------|------|------|
| 30 | 1 P frigorifique | (Watt) | 695 | 943 | 1238 | 1586 | 1997 | 2480 | 3042 | 3694 | 4443 |
| | 2 P absorbée | (W) | 458 | 525 | 584 | 637 | 686 | 732 | 776 | 820 | 864 |
| | 3 I absorbée | (A) | 4.32 | 4.39 | 4.47 | 4.58 | 4.70 | 4.85 | 5.01 | 5.20 | 5.40 |
| 40 | 1 P frigorifique | (Watt) | 513 | 750 | 1018 | 1327 | 1683 | 2097 | 2577 | 3131 | 3768 |
| | 2 P absorbée | (W) | 430 | 521 | 604 | 679 | 749 | 815 | 877 | 938 | 999 |
| | 3 I absorbée | (A) | 4.23 | 4.37 | 4.53 | 4.71 | 4.91 | 5.13 | 5.37 | 5.62 | 5.90 |
| 50 | 1 P frigorifique | (Watt) | | 531 | 784 | 1061 | 1373 | 1728 | 2134 | 2600 | 3136 |
| | 2 P absorbée | (W) | | 482 | 594 | 697 | 794 | 885 | 972 | 1056 | 1138 |
| | 3 I absorbée | (A) | | 4.32 | 4.55 | 4.81 | 5.08 | 5.37 | 5.69 | 6.02 | 6.37 |
| 60 | 1 P frigorifique | (Watt) | | | 521 | 778 | 1055 | 1360 | 1702 | 2090 | 2533 |
| | 2 P absorbée | (W) | | | 549 | 686 | 816 | 938 | 1055 | 1168 | 1278 |
| | 3 I absorbée | (A) | | | 4.55 | 4.87 | 5.22 | 5.59 | 5.97 | 6.38 | 6.81 |

© 2023 Tecumseh Products Company
All rights reserved

1 = cooling capacity 2 = power input 3 = current 4 = condensing temperature 5 = evaporating temperature

Nota : Tecumseh se réserve le droit de modifier les informations contenues dans ce document sans préavis.

Note : Tecumseh reserves the right to change information contained in this document without notification.