



Compressor
Voltage Code : FZ

AE1390Y-FZ1A

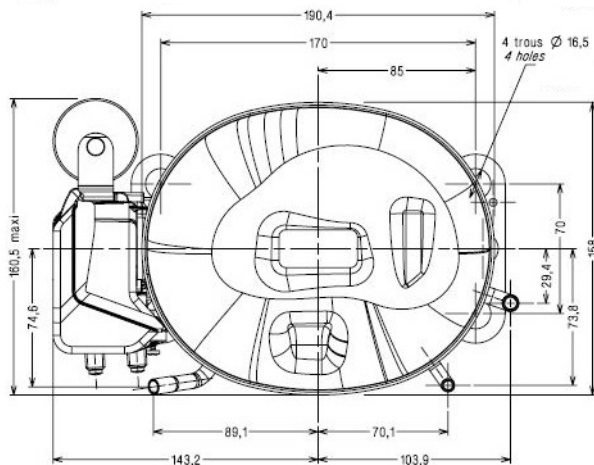
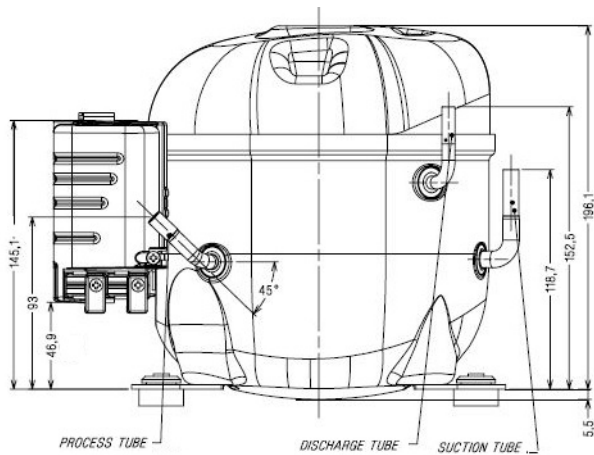
Domestic Refrigeration (BPM)

220 - 240V 1~ 50 Hz

R134a

AE1390Y-FZ1A

Conditions	Frequency	Nominal Cooling Capacity		Sound Power ISO3745 / ISO 3743-1
		Watts	BTU/h	
EN12900 / R134a	50 Hz	159	541	



* EN12900 : T°Cond. 55.0°C / T°Evap. -25.0°C / T°Return gas temp.. 32.0°C
T°Subcooling. 0.0K

Certificates :

Displacement (cc)	8,02
Net Weight (Kg)	9.7
Oil Quantity (cc)	280.0
Oil Type	Polyolester
Expansion Device	Capillary_Tube
Cooling	Fan
Main Winding (Ohm)	11.7
Start Winding (Ohm)	5.45

Current	
RLA (A)	1.4
MCC (A)	1,8
LRA (A)	15

Electrical Equipment PTC SIR

Overload	
Time Check	4TM232TFBYY
Open Temp	5s - 15s / 7.8 A
Close Temp	140° C
Optional	61° C
	T24910

PTC SR273102
Resistance 20 Ohms

Refrigerating connection for	
Suction Tube	6.35 (1/4")
Discharge Tube	4.76 (3/16")
Process Tube	6.35 (1/4")

Note : Tecumseh reserves the right to change information contained in this document without notification.

Selection program - V4.6_2024177 - 07/18/2024



Tecumseh

AE1390Y-FZ1A	Tension FZ : 220 - 240V 1~ 50 Hz
---------------------	---

Les performances sont données dans les conditions EN12900 :	Gaz aspirés :	32.0 °C
Condition Dew	Sous refroidissement :	0.0 K
The performance data are in EN12900 conditions :	Return gas :	32.0 °C
Dew Condition	Subcooling :	0.0 K

50 Hz R134a								
								N°2967
4 T condensation	5 T évaporation	(°C)	-35	-30	-25	-20	-15	-10
35	1 P frigorifique	(Watt)	116	165	225	297	381	480
	2 P absorbée	(W)	135	152	169	187	206	227
	3 I absorbée	(A)	1.30	1.33	1.36	1.41	1.46	1.52
40	1 P frigorifique	(Watt)	107	153	209	276	356	449
	2 P absorbée	(W)	135	153	172	192	213	236
	3 I absorbée	(A)	1.30	1.33	1.37	1.42	1.48	1.55
50	1 P frigorifique	(Watt)	87.2	127	176	236	306	388
	2 P absorbée	(W)	133	154	176	199	225	252
	3 I absorbée	(A)	1.29	1.33	1.38	1.44	1.51	1.60
60	1 P frigorifique	(Watt)		95.7	139	192	254	327
	2 P absorbée	(W)		151	176	203	232	264
	3 I absorbée	(A)		1.33	1.38	1.45	1.53	1.63

© 2024 Tecumseh Products Company
All rights reserved

1 = cooling capacity 2 = power input 3 = current 4 = condensing temperature 5 = evaporating temperature

Nota : Tecumseh se réserve le droit de modifier les informations contenues dans ce document sans préavis.
Note : Tecumseh reserves the right to change information contained in this document without notification.