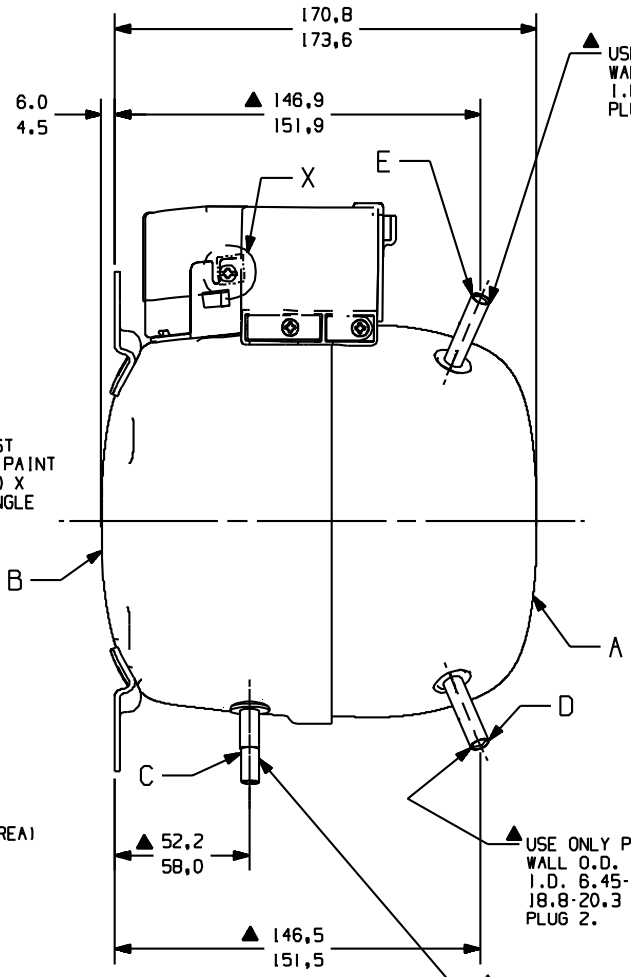


THIRD ANGLE PROJECTION

O. A. SYMBOLS

- ☆ : CATEGORY I
- △ : CATEGORY II
- : CATEGORY III
- : CATEGORY IV

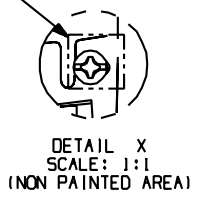


USE ONLY SUCTION CONNECTOR - COPPER
 WALL 0.D. 7.9-8,0 X 0.81-0.97 SWAGE
 I.D. 6.45-6.55(0.254-0.258 INCHES) X 18.8-20.3 DEEP.
 PLUG 2.

USE ONLY PROCESS CONNECTOR - COPPER
 WALL 0.D. 7.9-8,0 X 0.81-0.97 SWAGE
 I.D. 6.45-6.55(0.254-0.258 INCHES) X
 18.8-20.3 DEEP.
 PLUG 2.

USE ONLY DISCHARGE CONNECTOR - COPPER
 I.D. 4.92-5.02(0.194-0.198 INCHES) X 10.0-15.0 DEEP.
 PLUG 1.

THIS AREA MUST
 BE FREE FROM PAINT
 WITHIN A 10.0 X
 8.0 mm RECTANGLE
 AS SHOWN.



NOTES:
 1-SEE SPEC. IN BM. ASSEMBLE PARTS AS SHOWN.
 2-SEE SPEC. "A-B" & A-C FOR PROCESS.

LETTER	DRAWING NR.
A	BRT2165
B	BRCC1270
C	PER B.M.
D	BRA134002-2
E	BRA134002-2

AA	LT	LC	CHANGE	DATE	EC	DATE
			IN PROCESS		T.	F.

THIS DRAWING OR PRINT IS THE PROPERTY OF TECUMSEH DO BRASIL LTDA. AND CONTAINS INFORMATION THAT IS UNCLASSIFIED, BUT WHICH IS AVAILABLE TO THE RECIPIENT ON THE EXPRESS AND SPECIFIC CONDITION THAT NEITHER IT NOR THE INFORMATION CONTAINED THEREIN OR DISCLOSED OR MADE AVAILABLE TO OTHERS THROUGH THE RECIPIENT'S SPECIFIC AND EXPLICIT ACTIONS AND PROCEEDINGS AND SPECIFICALLY APPROVED IN WRITING BY TECUMSEH DO BRASIL AND NOT OTHERWISE. IT IS NOT TO BE COPIED OR TO ANY EXTENT WITH-OUT THE WRITING OF TECUMSEH DO BRASIL PRIOR THEREIN AND BE RETURNED TO THE RECIPIENT LATER'S REQUEST PROPERLY AFTER SUCH REQUEST IS MADE.

DO NOT SCALE THIS DRAWING. ALL PER- MITS MATERIALS MUST NOT BE MARKETIZED AS RECEIVED ON AT COMPRESSOR ASSEMBLY.



TECUMSEH
DO BRASIL LTDA.

NAME			PART NO.		
SALES COMPRESSOR			BRDCTH304		
DWN.	CK.	APR.	SCALE		
A. MARCOS 30/01/07	TATIANE	WALTER CORREA	1:2		
REF.			PAGE	AZ TH	
			1/1		