

1



FN050-VDW.4I.A7P1 | 156556 | Portfolio STD-WW | FE2owlet AC

Technical Description FE2owlet

Range FN

Standard design with AC-motor

- Profiled, sickle shaped blades designed with bionical know how
- Sizes 310 ... 800 mm (in 9 standard sizes)
- Optimized for full bell mouth
- 100% speed controllable
- ZIEHL-ABEGG FE2owlet fans can be used from -40°C* up to 70°C.

Mains voltage:

- 3~ zweitourig 400 V ±10% D/Y
- 3~ zweitourig 400/460 V ±10% D/Y

Frequenz:

- 50 Hz
- 60 Hz

Thermal class:

- THCL 155

Protection:

- IP54

Motor protection:

- Thermostat relay (TB)

Material of impeller:

- Aluminium die-cast

Painting:

- Fan in color RAL 9005 deep black
- Wall ring plate and suspension in color RAL 9005 deep black

On request:

- Different paintings
- Fan designs

***Continuous operation with occasional starts (S1) according to DIN EN 60034-1: 2011-02. Occasional starting between -35 ° C and -25 ° C is permissible. Permanent operation below -25 ° C only possible with special bearings for refrigeration applications on request.**



fan data

8/13/2024

version FANselect V 1.01 (230327), AMCA V 1.03 September, 2021
RLT V 1.00 Dezember, 2021 / 1.23.03.27 | 40932 | (user ZAFS30932)



type	FN050-VDW.41.A7P1
article no.	156556 Portfolio STD-WW

technical data

motor		AC
mains supply	-	3~ 400V 50Hz D
nominal current (I_N)	A	1.45
ambient temperature, max. limit (t_a)	°C	70
efficiency grade η_{statA}	%	34,2
efficiency grade N_{actual} N_{target}		41,3 40
ErP-conformity		2015
grille influence		pressure side not measured

fan data

SFP-class SFP-value (P_{SFP})	- Ws/m^3	2 569
airflow volume (q_v)	m^3/h	5179
pressure, stat. (p_{sF}) tot. (p_F)	Pa	168 199
electrical power input (P_1)	W	819
efficiency grade, stat. (η_{sF}) tot. (η_F)	%	29.4 34.9
fan speed (n) max. (n_{max})	1/min	1341 -
frequency (f_{DP}) (f_{max})	Hz	50 50
voltage (U_{DP})	V	400
current (I_{DP})	A	1.44
acoustics, suction side ($L_{w(A),5}$) ($L_{w,5}$)	dB	75 84
acoustics, pressure side ($L_{w(A),6}$) ($L_{w,6}$)	dB	76 84
product weight (m_{pr})	kg	13.8

PF:PF_50; BR:BR_13; q_v :4000 m^3/h ; p_F :100 Pa; mains:3~ / 400V / 50 Hz; t_a :20 °C; size:500 mm; p :1.16 kg/m^3 ; STol:+80 %; BF:

FANselect



performance curve / acoustics

8/13/2024

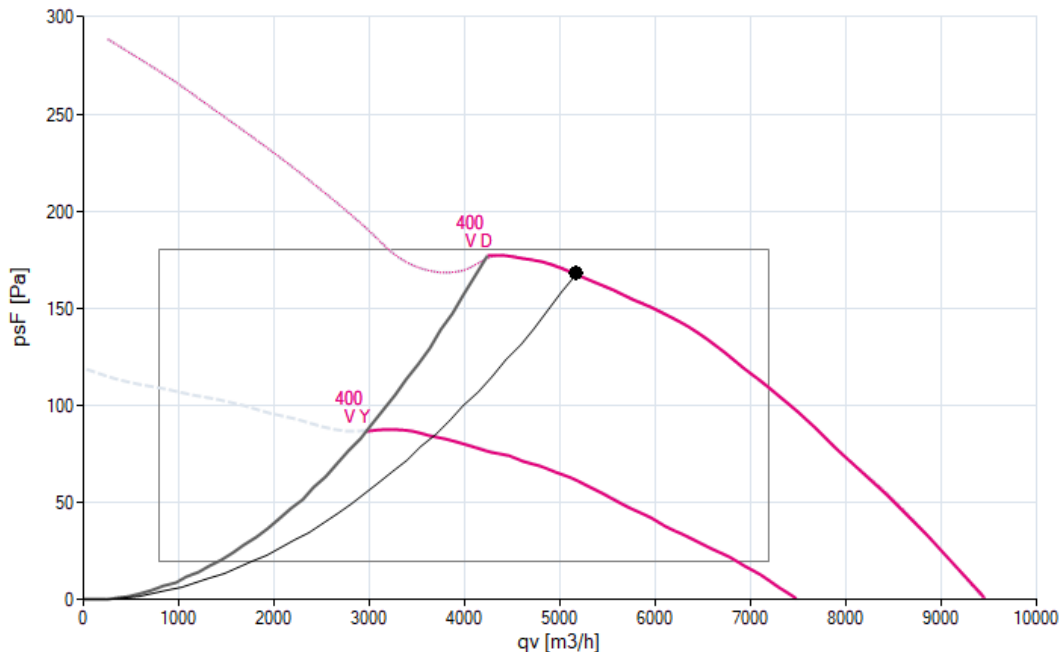
Version FANselect V 1.01 (230327), AMCA V 1.03 September, 2021
 RLT V 1.00 Dezember, 2021 / 1.23.03.27 | 40932 | (user ZAFS30932)

1 FN050-VDW.4I.A7P1

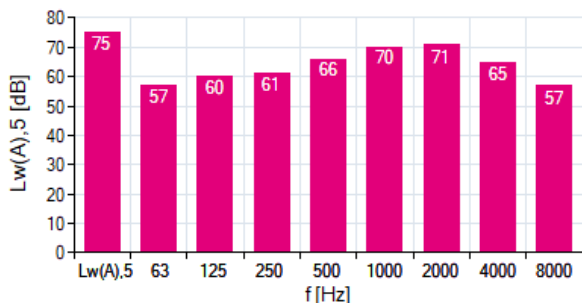
Measured in full nozzle without guard grille in air flow direction V in installation type A according to ISO5801

156556 | Portfolio STD-WW measurement density 1.16 [kg/m³]

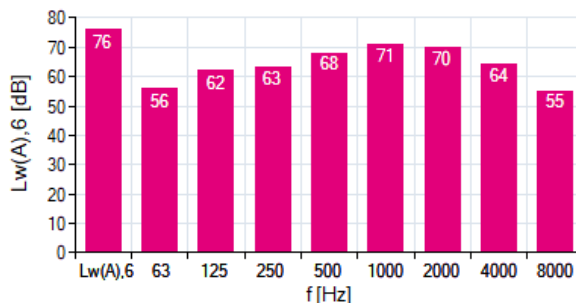
air performance p_{sF}



acoustics ($L_{w(A),5}$)



acoustics ($L_{w(A),6}$)



1 FN050-VDW.4I.A7P1

f [Hz]	sum	63	125	250	500	1000	2000	4000	8000
$L_{w(A),5}$	75	57	60	61	66	70	71	65	57
$L_{w,5}$	84	82	76	70	69	70	69	64	58

f [Hz]	sum	63	125	250	500	1000	2000	4000	8000
$L_{w(A),6}$	76	56	62	63	68	71	70	64	55
$L_{w,6}$	84	81	77	72	71	71	69	63	56

FANselect



power input

8/13/2024

version FANselect V 1.01 (230327), AMCA V 1.03 September, 2021
RLT V 1.00 Dezember, 2021 / 1.23.03.27 | 40932 | (user ZAFS30932)

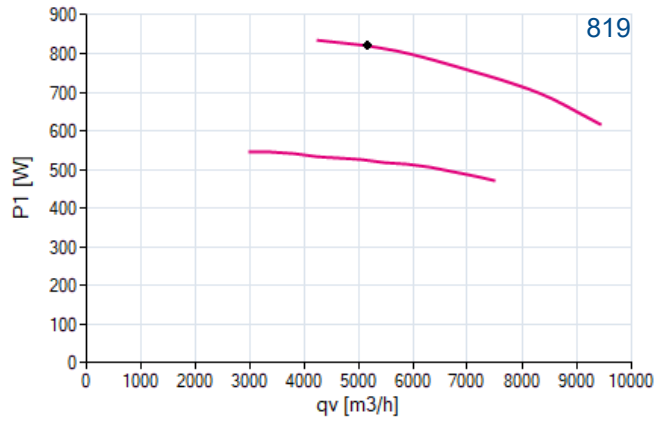
1

FN050-VDW.4I.A7P1

Measured in full nozzle without guard grille in air flow direction V in installation type A according to ISO5801

156556 | Portfolio STD-WW measurement density 1.16 [kg/m³]

power input P₁





nominal values

8/13/2024

version FANselect V 1.01 (230327), AMCA V 1.03 September, 2021
RLT V 1.00 Dezember, 2021 / 1.23.03.27 | 40932 | (user ZAFS30932)

1



FN050-VDW.4I.A7P1

156556

3~ 400V +10/-10 D/Y 50Hz P1 0.84/0.54kW P2 0.60/0.22kW
 1.45/0.96A DI=15% 1340/940/MIN COSY 0.80 70°C
 IP54 THCL155

drawing

8/13/2024

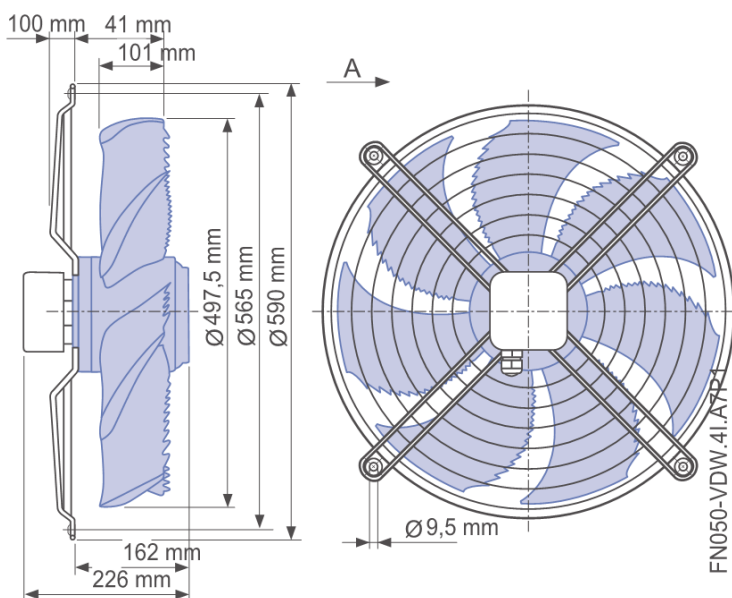
version FANselect V 1.01 (230327), AMCA V 1.03 September, 2021
RLT V 1.00 Dezember, 2021 / 1.23.03.27 | 40932 | (user ZAFS30932)

1



FN050-VDW.4I.A7P1

156556



wiring diagram

8/13/2024

version FANselect V 1.01 (230327), AMCA V 1.03 September, 2021
RLT V 1.00 Dezember, 2021 / 1.23.03.27 | 40932 | (user ZAFS30932)

1



FN050-VDW.4I.A7P1

156556

1~Motor mit Kondensator und Thermostatschalter.
 1~Motor with capacitor and thermostatic switch.
 Moteur monophasé avec condensateur et interrupteur thermostatique.

UZ	blau oder grau	blue or grey	bleu ou gris
Z2	schwarz	black	noir
TB	braun	brown	brun



Anschlussschaltbild im Anschlusskasten aufbewahren.
 Keep wiring diagram in terminal box.
 Conserver le schéma de raccordement dans la boîte à bornes.

FANselect



system components

8/13/2024

Version FANselect V 1.01 (230327), AMCA V 1.03 September, 2021
RLT V 1.00 Dezember, 2021 / 1.23.03.27 | 40932 | (user ZAFS30932)



type	FN050-VDW.4I.A7P1
article no.	156556