

The 100RB is a direct-acting, 2-way, normally closed valve. 100 RB valves are used for liquid or discharge gas refrigerant service.

Features

- One coil fits all valve sizes
- Extended ends for easy installation (standard)
- Long-life molded coils
- PTFE O-ring for superior external sealing



Options

- SAE or ODF connection sizes in 1/4" and 3/8", 1/4" NPTF

Specifications

- Maximum fluid temperature: 250°F
- Maximum working pressure: 500 psig
- MOPD: 300 psig
- UL/CUL file number: MP 604

NOTE: Mounting enclosing tube more than 90° off vertical up position is not recommended.

Nomenclature example: 100RB 2F2 VLC

100R	B	2	F	2	VLC
Valve Series	Design Series	Port Size (in 1/16")	Connection Type F = SAE S = ODF P = NPTF	Connection Size (in 1/8")	Coil*

*NOTE: Valves are shipped without the solenoid coils (VLC = Valve Less Coil). See coil assemblies for availability.

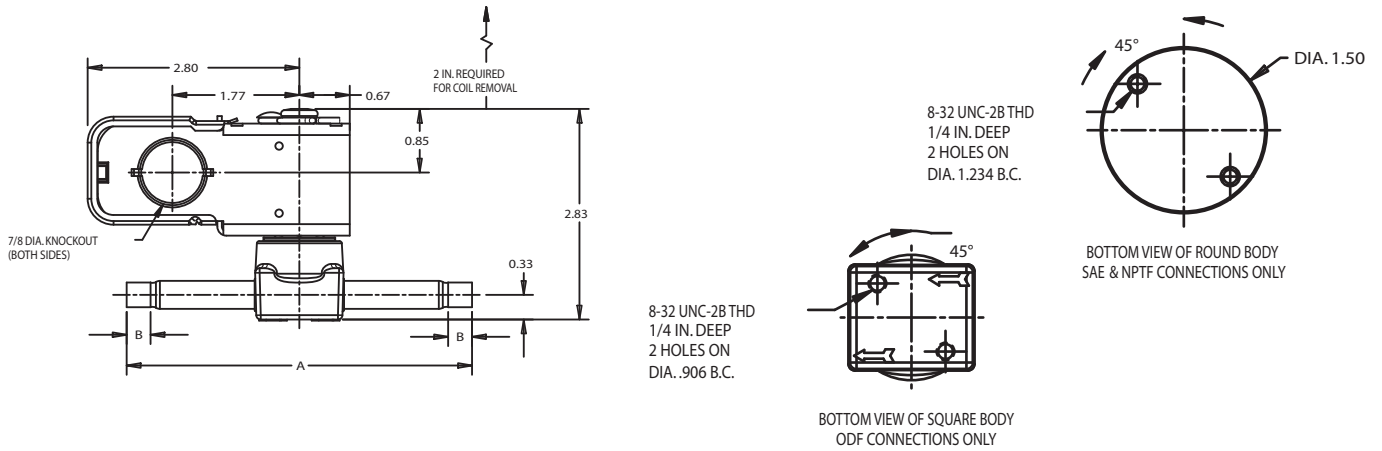
Ordering Information and Nominal* Liquid Capacity Table – Tons (kW)

PCN	Product Description	Connection Size	R-12	R-134a	R-22	R-407C	R-404A/R-507	R-502
047503	100RB 2S2 VLC	1/4" ODF	1.0 (3.5)	1.2 (4.2)	1.27 (4.5)	1.21 (4.3)	.85 (3.0)	.83 (2.9)
047504	100RB 2S3 VLC	3/8" ODF						
047505	100RB 2S4 VLC	1/2" ODF						
047500	100RB 2F2 VLC	1/4" SAE						
047501	100RB 2F3 VLC	3/8" SAE						
047502	100RB 2P2 VLC	1/4" NPTF						

Capacities based on 100°F liquid and 40°F saturated evaporator per ARI standard 760-87.

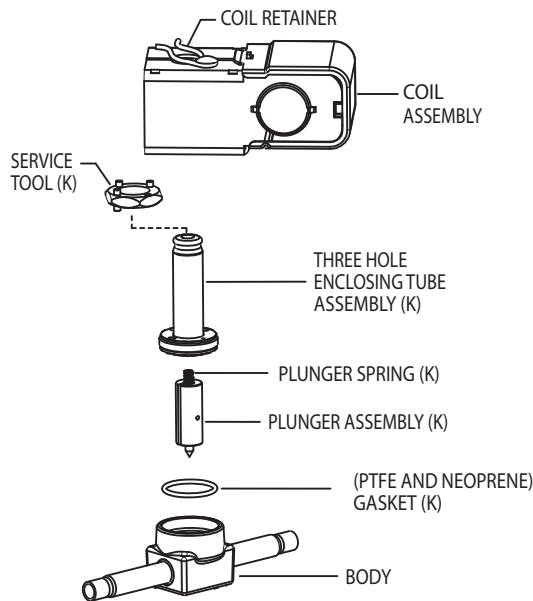
*See Extended Capacity Tables for ratings at a wide range of conditions.

Dimensional Data (in)



VALVE	CONNECTION SIZE	A	B
100RB 2S2 VLC	1/4 ODF	4.63	0.31
100RB 2S3 VLC	3/8 ODF	4.63	0.31
100RB 2S4 VLC	1/2 ODF	4.63	0.38
100RB 2F2 VLC	1/4 SAE	3.10	-
100RB 2F3 VLC	3/8 SAE	3.47	-
100RB 2P2 VLC	1/4 NPTF	1.56	-

Exploded View & Parts Kit Data



Valve Repair Kit

K indicates part is supplied in valve repair kit KS30112 (PCN 049191)

Note: Universal (2/3 hole) spanner wrench X11981-1 (PCN 027451) included in complete repair kit.

Coil Assembly

See coil assemblies for availability.

Parts Kit

KG-10041 PCN: 054812

(Contains 12 pieces each of PTFE and neoprene O-rings.)