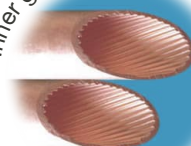


HUA CONDENSING UNIT UNIDAD CONDENSADORA HUA



Inner grooved copper tube



2024 EDITION

HUA CONDENSING UNIT

UNIDAD CONDENSADORA HUA

General features:

The condensing unit HUA range is designed for commercial refrigeration at midium and low temperatures.

Specially designed with tropical condenser made from high quality inner-grooved copper tubes $\varnothing 7$ mm, low noise operation, easy maintenance, finest components to guarantee final quality control. All condensing units are complied with directives 97/23/EC Pressure Equipment (P.E.D).

Standard unit construction:

- Powder coated Zinc plate highly anti-corrosion strength
- Tropical condenser coil with copper tube and aluminium fins
- Sound insulation
- Hermetic scroll or reciprocating compressor
- Dual pressure switch with automatic reset
- Solenoid valve on liquid line
- Filter drier on liquid line
- Sight glass with moisture indicator
- Liquid receiver
- Shut-off valves for liquid and suction line
- Ziehl-Abegg or Maer axial fan motors
- Manometers
- Suction accumulator
- Build in BASIC electric controls panel

Optional items:

- Fan speed controller based on condenser pressure
- Oil separator
- Crankcase heater
- Built in electric control panel
- Different voltage & refrigerants.
- Safety relief valve
- Build in FULL electric control panel

Características generales:

La unidad condensadora HUA está diseñada para la refrigeración comercial a media y baja temperatura.

Especialmente diseñado con condensador tropical hecho de tubos de cobre con ranuras internas de alta calidad de $\varnothing 7$ mm, operaciones de bajo ruido, fácil mantenimiento, con los mejores componentes para garantizar el control de calidad final. Todas las unidades condensadoras cumplen con las directivas 97/23/EC Equipo de presión (P.E.D).

Construcción de la unidad estándar:

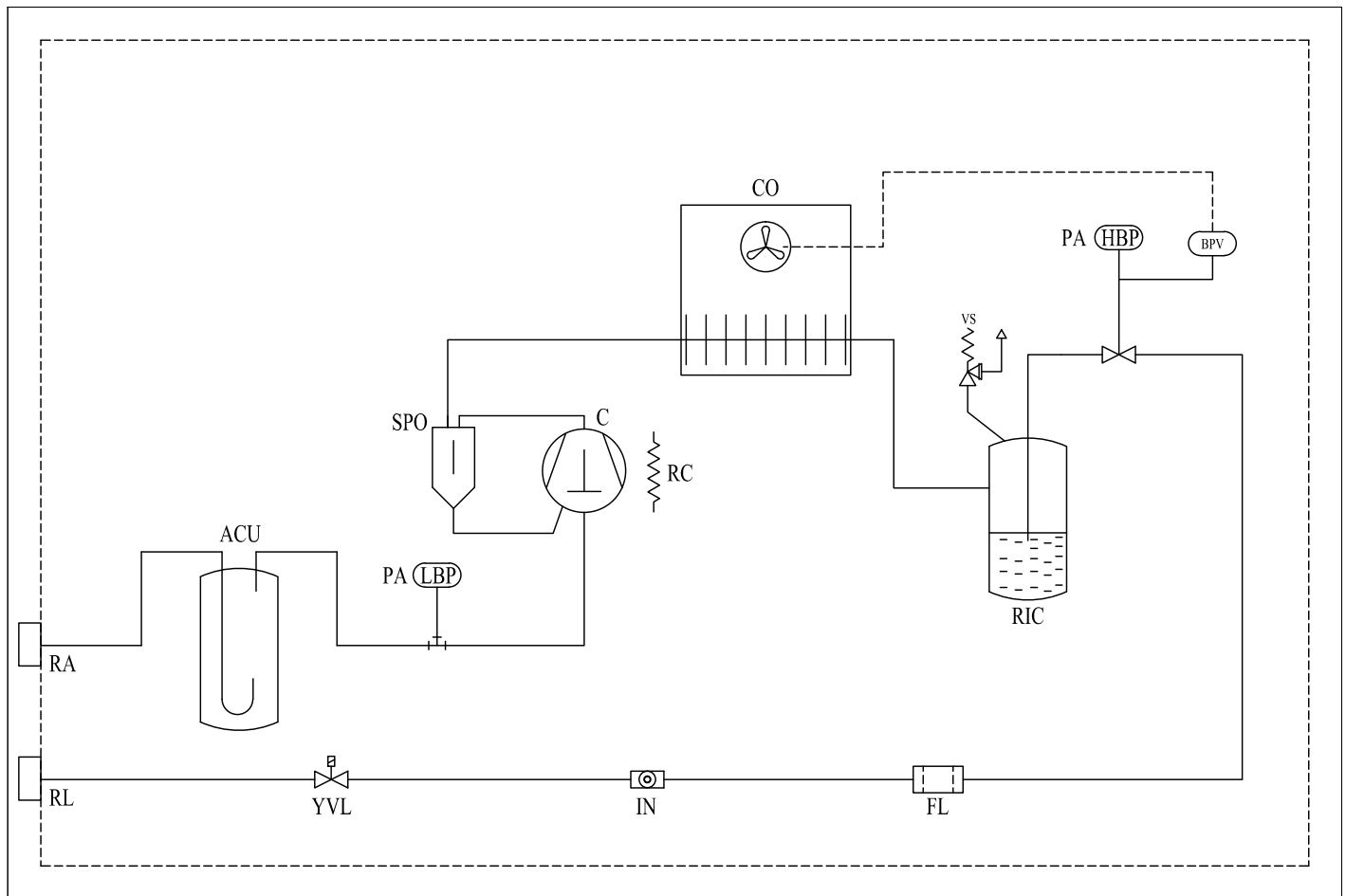
- Paquete de aletas con tratamiento anti corrosión
- Condensador tropicalizado
- Unidad condensadora insonorizada
- Compresor Scroll o hermetico de pistones
- Doble presostato con rearme automatico. Alta y baja presión.
- Válvula selenoide en línea de líquido
- Filtro deshidratador en línea de líquido
- Visor de líquido
- Recipiente de líquido (calderin)
- Válvulas de servicio en línea de líquido y aspiración
- Acumulador de succión
- Ventilador axial Ziehl-Abegg o Maer
- Manómetros

Accesorios opcionales:

- Control de velocidad, según la condensación
 - Separador de aceite
 - Resistencia de carter
 - Panel eléctrico de control
 - Diferente voltaje & gas
 - Válvula de seguridad homologada
-

HUA CONDENSING UNIT

UNIDAD CONDENSADORA HUA



Standard unit construction:

CO -Tropical condenser coil with copper tube and aluminium fins
 C -Hermetic scroll or reciprocating compressor
 PA -Dual pressure switch with automatic reset
 YVL -Solenoid valve on liquid line
 FL -Filter drier on liquid line
 IN -Sight glass with moisture indicator
 RIC -Liquid receiver
 RL/RA -Shut-off valves for liquid and suction line

Optional items:

BPV -Fan speed controller based on condenser pressure
 SPO -Oil separator
 RC -Crankcase heater
 ACU -Suction accumulator
 VS -Safety relief valve

Construcción de la unidad estándar:

CO -Condensador tropicalizado
 C -Compresor Scroll o hermetico de pistones
 PA -Doble presostato con rearme automatico. Alta y baja presión.
 YVL -Válvula selenoide en línea de líquido
 FL -Filtro deshidratador en línea de líquido
 IN -Visor de liquido
 RIC -Recipiente de liquido (calderin)
 RL/RA -Válvulas de servicio en línea de líquido y aspiración

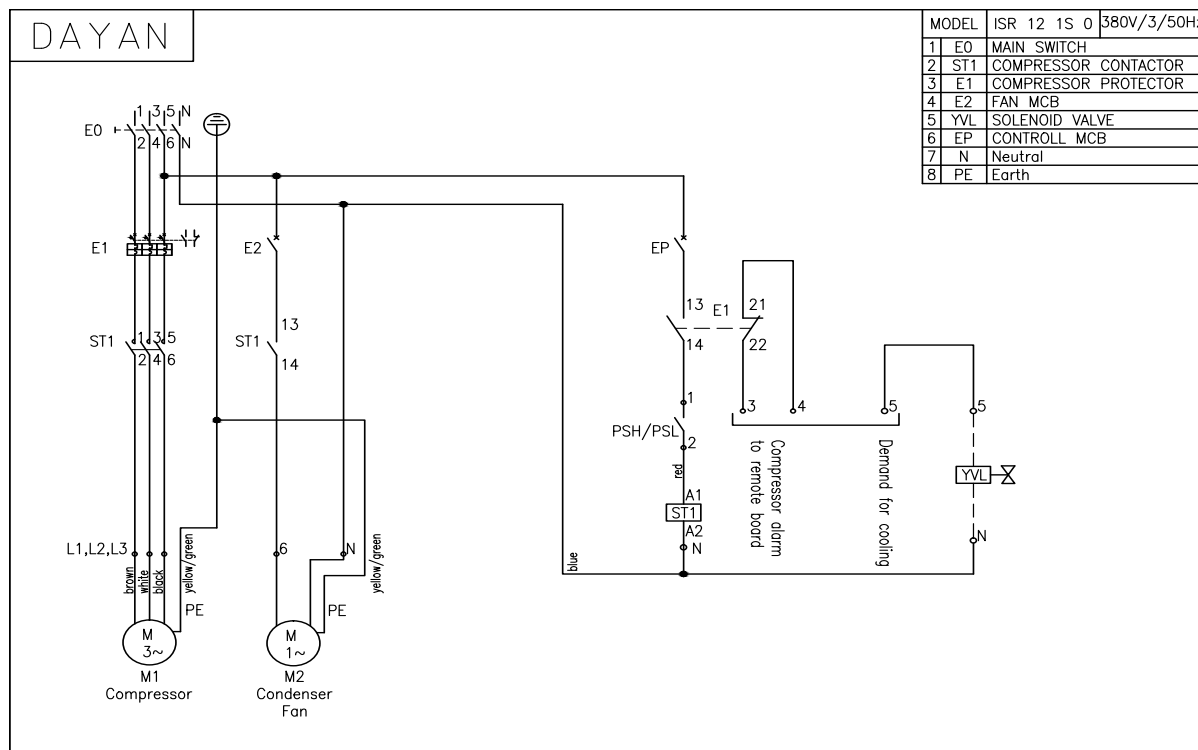
Accesorios opcionales:

BPV -Control de velocidad, según la condensación
 SPO -Separador de aceite
 RC -Resistencia de carter
 ACU -Acumulador de succión
 VS -Válvula de seguridad homologada

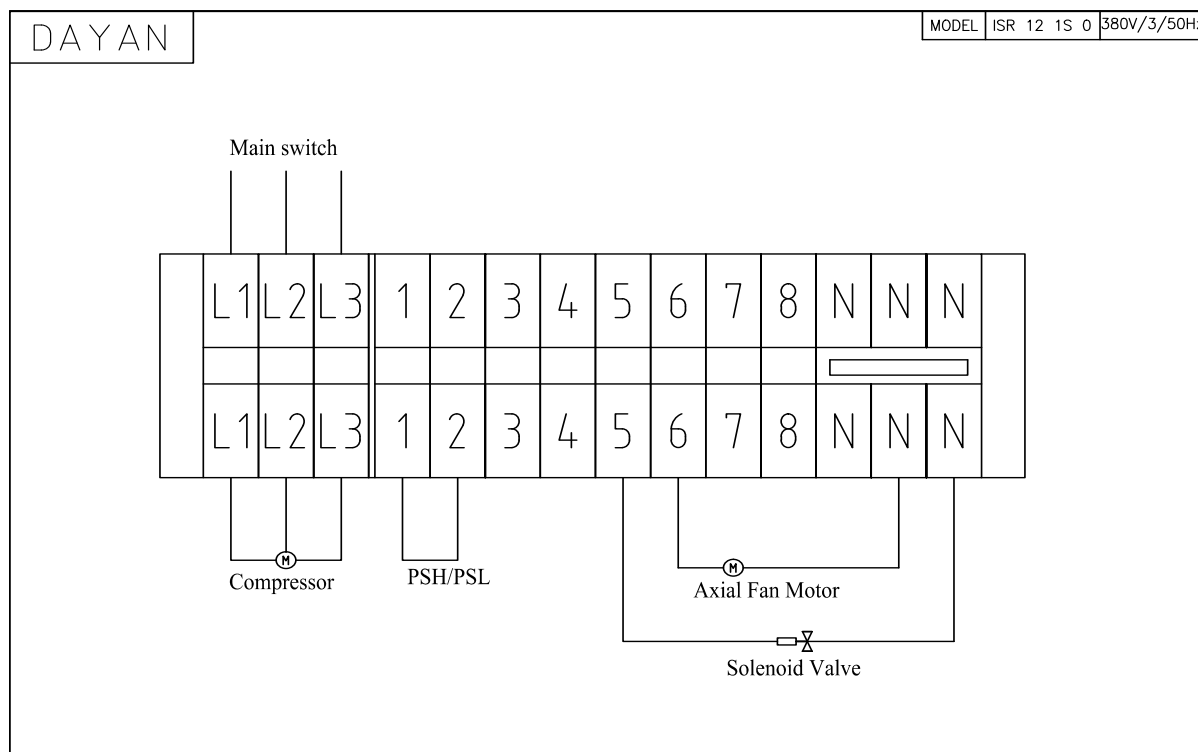
HUA CONDENSING UNIT

UNIDAD CONDENSADORA HUA

Circuit diagram:/ Diagrama de circuito:



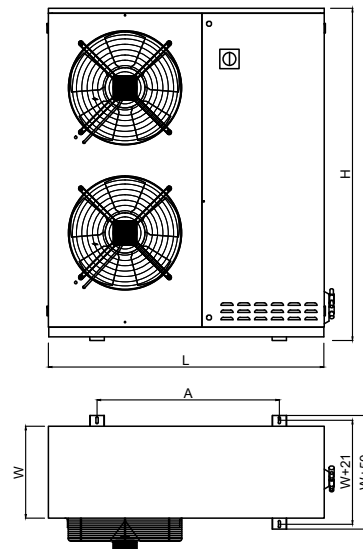
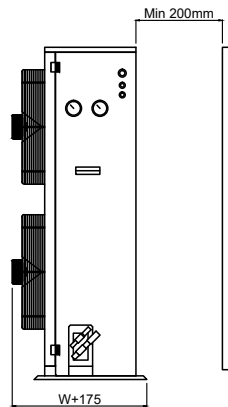
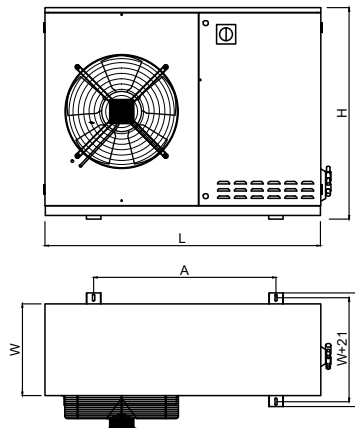
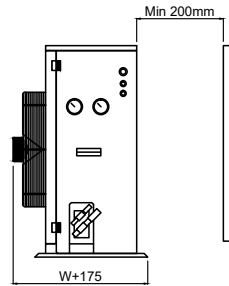
*For standard compressors, including Tecumseh/ Copeland compressors./ Para compresor normal.



For basic electrics wiring.

HUA CONDENSING UNIT

UNIDAD CONDENSADORA HUA



| Model / Modelo | Dimensions/Dimensiones(mm) | | | |
|--------------------|----------------------------|------------|------------|------------|
| | L | W | A | H |
| HUA 4001... | 1000 | 395 | 550 | 525 |
| HUA 4501... | 1000 | 395 | 550 | 675 |
| HUA 4501P... | 1150 | 395 | 646 | 875 |
| HUA 5001... | 1150 | 395 | 646 | 975 |
| *HUA 5001... | 1400 | 495 | 646 | 975 |
| HUA 5001P... | 1290 | 395 | 786 | 975 |
| HUA 5002... | 1300 | 400 | 786 | 1275 |
| HUA 5002P... | 1500 | 565 | 986 | 1275 |
| *HUA 5002P... | 1800 | 565 | 986 | 1275 |
| HUA 5002PW... | 1600 | 565 | 986 | 1275 |
| HUA 5502P.. | 1900 | 550 | 1116 | 1475 |
| HUA 5502PW... | 2180 | 550 | 1286 | 1475 |
| HUA 6302P... | 2180 | 730 | 1286 | 1575 |

*: For semi hermetic compressors.

W: For enlarged compressor compartment.

HUA CONDENSING UNIT

UNIDAD CONDENSADORA HUA



Electric data/ Datos eléctricos

| HMBP R404A | Compressor/ Compresor | | Condenser/ Condensador | Axial fan motor/ Ventilador de motor axial | | | | | Noise/ Ruido | Pipe Fittings/Tu- berías | | N.W | MOC* | |
|-----------------|--------------------------|------------------|---------------------------|---|------|------|-------|---------------------|-----------------|--------------------------------|------|--------|------|---------------|
| | Model/ Modelo | Model/ Modelo | HP | Surface/ Superficie | N°xØ | m³/h | Poles | Voltage/ Voltaje | | Absorption/ Absorción | | | | *Dist =10m |
| | | | | m² | | | | (V/50Hz) | W | A | dBa | Inch | Inch | |
| HUA 4001Z02 MT | TAJ9510Z | 0.75 | 7.54 | 1x400 | 2307 | 6 | 1~220 | 125 | 0.62 | 33 | 3/8" | 5/8" | 51 | 3.62 |
| HUA 4001Z03 MT | TAJ9513Z | 1 | 11.3 | 1x400 | 2036 | 6 | 1~220 | 125 | 0.62 | 33 | 3/8" | 5/8" | 53 | 4.52 |
| HUA 4501Z03 MT | FH4524Z-XG1A | 2 | 15.07 | 1x450 | 3062 | 6 | 1~220 | 260 | 1.20 | 36 | 3/8" | 5/8" | 55 | 6.00 |
| HUA 4501Z04 MT | FH4532Z-XG1A | 2.5 | 20.1 | 1x450 | 2706 | 6 | 1~220 | 260 | 1.20 | 38 | 3/8" | 5/8" | 70 | 7.50 |
| HUA 5001Z03 MT | FH4538Z-XG1A | 3 | 30.88 | 1x500 | 4475 | 6 | 1~220 | 290 | 1.30 | 38 | 1/2" | 7/8" | 85 | 10.50 |
| HUA 5001Z04 MT | FH4544Z-XG1A | 4 | 41.18 | 1x500 | 4232 | 6 | 1~220 | 290 | 1.30 | 41 | 5/8" | 7/8" | 96 | 13.57 |
| HUA 5001Z04P MT | TAG4561Z | 5 | 50.02 | 1x500 | 6300 | 6 | 1~220 | 290 | 1.30 | 41 | 5/8" | 1-1/8" | 101 | 15.30 |
| HUA 5002Z03 MT | TAG4561Z | 5 | 51.47 | 2x500 | 8489 | 6 | 1~220 | 580 | 2.60 | 42 | 5/8" | 1-1/8" | 117 | 16.60 |
| HUA 5002Z04 MT | TAG4568Z | 6 | 68.63 | 2x500 | 7932 | 6 | 1~220 | 580 | 2.60 | 42 | 5/8" | 1-1/8" | 120 | 17.80 |
| HUA 5002Z04 MT | TAG4573Z | 6.5 | 68.63 | 2x500 | 7932 | 6 | 1~220 | 580 | 2.60 | 42 | 5/8" | 1-1/8" | 121 | 20.60 |
| HUA 5002Z04 MT | TAG4581Z | 7 | 68.63 | 2x500 | 7932 | 6 | 1~220 | 580 | 2.60 | 43 | 5/8" | 1-1/8" | 125 | 23.44 |

The noise levels refer to the average value recored during 24h of daily functioning with fan motors controlled speed, standard housing sound absorption and compressor jacket (optional items). Alternative conditions may produce different results. /

Los niveles de ruido se refieren al valor promedio registrado durante 24 horas de funcionamiento con ventiladores, velocidad controlada, absorción de sonido con gabinete estándar y chaqueta para compresor (items opcionales). Las condiciones alternativas pueden producir diferentes resultados.

* MOC= Maximum operating current A

Refrigeration capacity/ Capacidad de refrigeración

| HMBP R404A | Compressor/ Compresor | | Performance/ Rendimiento (W) | | | | |
|------------------|--------------------------|------|---|-------|-------|-------|-------|
| | | | Evaporating Temperature/ Temperatura de evaporación (°C) | | | | |
| Model/ Modelo | Model/ Modelo | HP | +5°C | 0°C | -5°C | -10°C | -15°C |
| HUA 4001Z02 MT | TAJ9510Z | 0.75 | 2343 | 1947 | 1602 | 1298 | 1030 |
| HUA 4001Z03 MT | TAJ9513Z | 1 | 2923 | 2397 | 1938 | 1536 | 1182 |
| HUA 4501Z03 MT | FH4524Z-XG1A | 2 | 5129 | 4138 | 3277 | 2528 | 1873 |
| HUA 4501Z04 MT | FH4532Z-XG1A | 2.5 | 6248 | 5122 | 4140 | 3282 | 2529 |
| HUA 5001Z03 MT | FH4538Z-XG1A | 3 | 8011 | 6598 | 5351 | 4246 | 3259 |
| HUA 5001Z04 MT | FH4544Z-XG1A | 4 | 9032 | 7482 | 6100 | 4859 | 3729 |
| HUA 5001Z04P MT | TAG4561Z | 5 | 12297 | 9953 | 7914 | 6133 | 4560 |
| HUA 5002Z03 MT | TAG4561Z | 5 | 12297 | 9953 | 7914 | 6133 | 4560 |
| HUA 5002Z04 MT | TAG4568Z | 6 | 14444 | 11787 | 9463 | 7429 | 5639 |
| HUA 5002Z04 MT | TAG4573Z | 6.5 | 15385 | 12567 | 10122 | 8000 | 6155 |
| HUA 5002Z04 MT | TAG4581Z | 7 | 16569 | 13710 | 11189 | 8957 | 6966 |

Test condition: Ambient temperature: 35°C, Condensing temperature: 50°C /

Condiciones de prueba: temperatura ambiente: 35°C, temperatura de condensación: 50°C

HUA CONDENSING UNIT

UNIDAD CONDENSADORA HUA



Electric data/ Datos eléctricos

| LBP R404A | Compressor/ Compresor | | Condenser/ Condensador | Axial fan motor/ Ventilador de motor axial | | | | | | Noise/ Ruido | Pipe Fittings/Tu- berías | | N.W | MOC | |
|-----------------|--------------------------|------------------|---------------------------|---|------|------|-------|---------------------------------|--------------------------|-----------------|--------------------------------|--------|-----|-------|------|
| | Model/ Modelo | Model/ Modelo | HP | Surface/ Superficie | N°xØ | m³/h | Poles | Voltage/ Voltaje (V/50Hz) | Absorption/ Absorción | | *Dist =10m | L | | | S |
| | | | | m² | | | | | W | A | | dBa | | | Inch |
| HUA 4501Z03 MT | TAJ2464Z | 1.5 | 15.07 | 1x450 | 3062 | 6 | 1~220 | 260 | 1.20 | 33 | 3/8" | 5/8" | 51 | 4.50 | |
| HUA 4501Z04 MT | FH2480Z | 2 | 20.1 | 1x450 | 2706 | 6 | 1~220 | 260 | 1.20 | 36 | 3/8" | 5/8" | 68 | 6.00 | |
| HUA 5001Z03 MT | FH2511Z | 2.5 | 30.88 | 1x500 | 4475 | 6 | 1~220 | 290 | 1.30 | 36 | 1/2" | 5/8" | 84 | 6.30 | |
| HUA 5001Z04 MT | TAG2513Z | 3.25 | 41.18 | 1x500 | 4232 | 6 | 1~220 | 290 | 1.30 | 42 | 5/8" | 7/8" | 114 | 10.18 | |
| HUA 5001Z04 MT | TAG2516Z | 4 | 41.18 | 1x500 | 7932 | 6 | 1~220 | 290 | 1.30 | 42 | 5/8" | 7/8" | 116 | 11.11 | |
| HUA 5001Z04P MT | TAG2522Z | 5 | 50.02 | 1x500 | 6300 | 6 | 1~220 | 290 | 1.30 | 41 | 5/8" | 1-1/8" | 120 | 13.8 | |
| HUA 5002Z03 MT | TAG2522Z | 5 | 68.63 | 2x500 | 7932 | 6 | 1~220 | 580 | 2.60 | 42 | 5/8" | 1-1/8" | 120 | 15.10 | |
| HUA 5002Z04 MT | TAG2525Z | 6 | 88.23 | 2x500 | 7932 | 6 | 1~220 | 580 | 2.60 | 42 | 5/8" | 1-1/8" | 125 | 15.94 | |

The noise levels refer to the average value recored during 24h of daily functioning with fan motors controlled speed, standard housing sound absorption and compressor jacket (optional items). Alternative conditions may produce different results. /

Los niveles de ruido se refieren al valor promedio registrado durante 24 horas de funcionamiento con ventiladores, velocidad controlada, absorción de sonido con gabinete estándar y chaqueta para compresor (ítems opcionales). Las condiciones alternativas pueden producir diferentes resultados.

* MOC= Maximum operating current A

Refrigeration capacity/ Capacidad de refrigeración

| LBP R404A | Compressor/ Compresor | | Performance/ Rendimiento (kw) | | | | | |
|-----------------|--------------------------|------------------|---|-------|-------|-------|-------|-------|
| | | | Evaporating Temperature/ Temperatura de evaporación (°C) | | | | | |
| | Model/ Modelo | Model/ Modelo | HP | -10°C | -15°C | -20°C | -25°C | -30°C |
| HUA 4501Z03 MT | TAJ2464Z | 1.5 | 2302 | 1854 | 1467 | 1135 | 852 | 612 |
| HUA 4501Z04 MT | FH2480Z | 2 | 4075 | 3187 | 2430 | 1789 | 1252 | 807 |
| HUA 5001Z03 MT | FH2511Z | 2.5 | 5721 | 4475 | 3411 | 2512 | 1758 | 1132 |
| HUA 5001Z04 MT | TAG2513Z | 3.25 | 5967 | 4565 | 3381 | 2393 | 1578 | 912 |
| HUA 5001Z04 MT | TAG2516Z | 4 | 7043 | 5566 | 4278 | 3181 | 2280 | 1575 |
| HUA 5001Z04P MT | TAG2522Z | 5 | 8625 | 6880 | 5355 | 4055 | 2982 | 2139 |
| HUA 5002Z03 MT | TAG2522Z | 5 | 8625 | 6880 | 5355 | 4055 | 2982 | 2139 |
| HUA 5002Z04 MT | TAG2525Z | 6 | 9256 | 7381 | 5757 | 4358 | 3159 | 2132 |

Test condition: Ambient temperature: 35°C, Condensing temperature: 50°C /

Condiciones de prueba: temperatura ambiente: 35°C, temperatura de condensación: 50°C