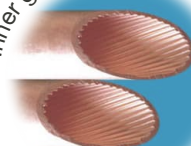


HEC SERIES EVAPORATOR EVAPORADORES SERIE HEC



Inner grooved copper tube

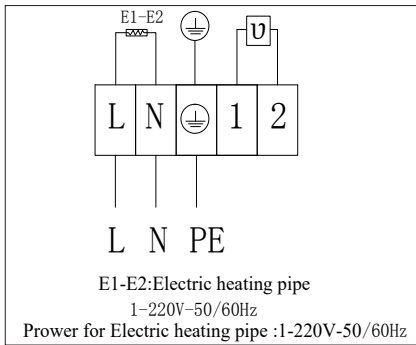


2024 EDITION

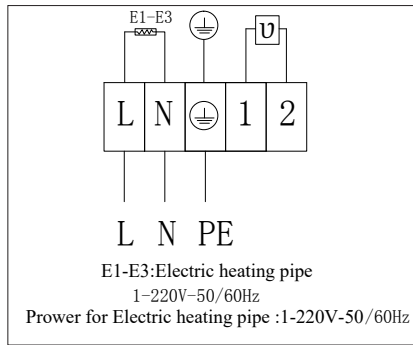
HEC SERIES EVAPORATOR

EVAPORADORES SERIE HEC

Defrost heating circuit diagram:/ Diagrama del circuito de calentamiento de descongelamiento:

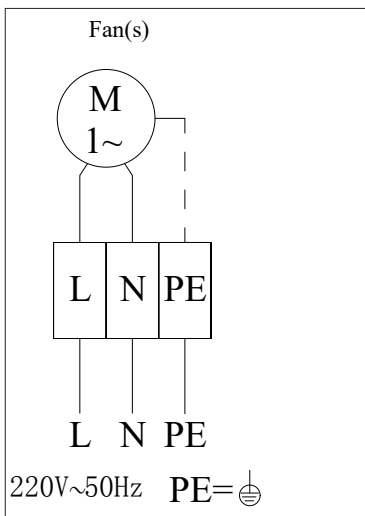


HEC 250 D



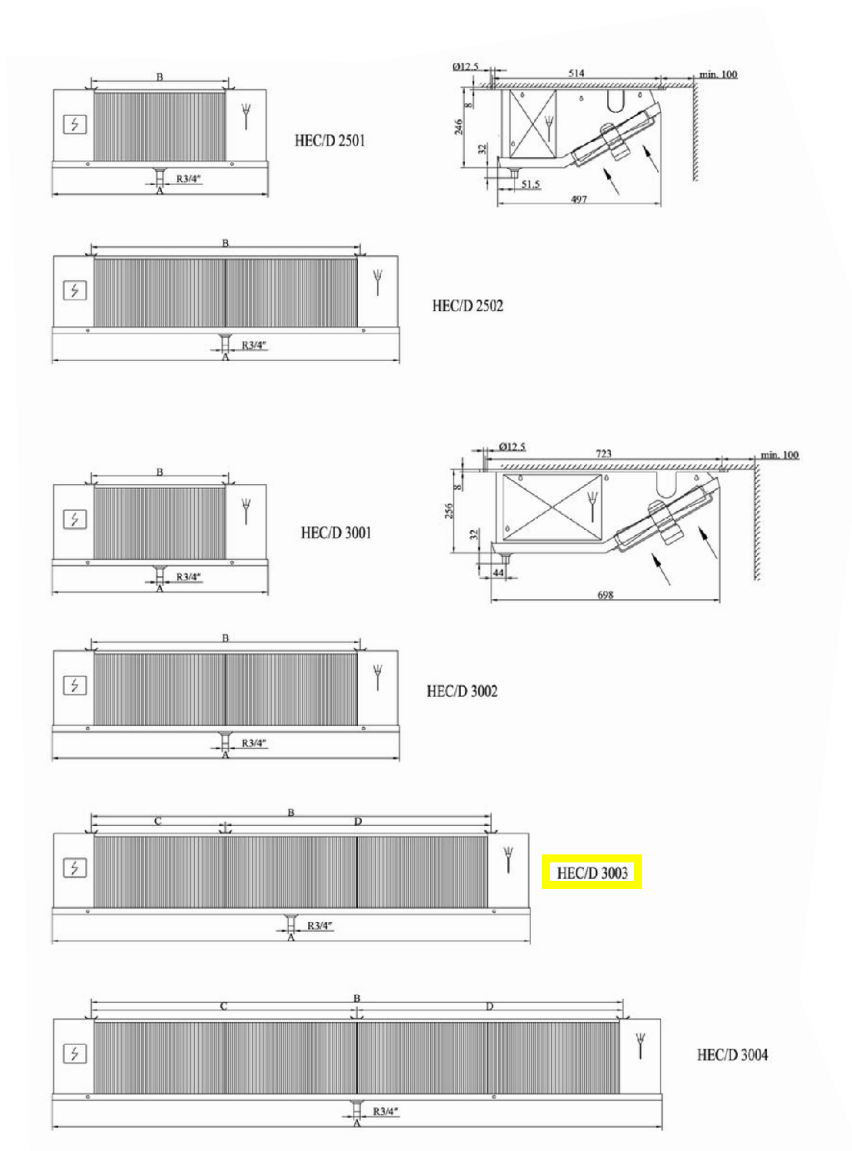
HEC 300 D

Fan motor circuit diagram:/ Diagrama del circuito del motor del ventilador:



HEC SERIES EVAPORATOR

EVAPORADORES SERIE HEC



| Model / Modelo | Dimensions/Dimensiones(mm) | | | |
|-------------------|----------------------------|------|------|------|
| | A | B | C | D |
| HEC 3001 | 920 | 620 | | |
| HEC 3002 | 1522 | 1222 | | |
| HEC 3003 | 2124 | 1824 | 620 | 1204 |
| HEC 3004 | 2726 | 2426 | 1222 | 1204 |

HEC SERIES EVAPORATOR

EVAPORADORES SERIE HEC

Fin spacing, Espacio entre aletas 6 mm, with heater/ Con resistencia, $Rt \geq -18^{\circ}\text{C}$

| Model / Modelo | Nominal Capacity / Capacidad Nominal (kw) | | Capacity / Capacidad (kw) | | Superficie/ Surface (m ²) | Tube Volume/ Volumen Interno (dm ³) | N.W/ Peso Neto (kg) | Connection/ Conexión (ø mm) | |
|-----------------------|---|------------------------|---------------------------------|------------------------|---|---|------------------------------|-----------------------------------|-------------------|
| | t _e = -8°C | t _e = -25°C | t _e = -8°C | t _e = -25°C | | | | Inlet/ Entrada | Outlet/ Salida |
| | DT1=8K | DT1=7K | DT1=8K | DT1=7K | | | | | |
| HEC 3002 23 6D | 3.10 | 2.14 | 2.69 | 2.04 | 15.8 | 3 | 30.0 | 12 | 15 |
| HEC 3003 35 6D | 4.04 | 2.96 | 3.51 | 2.82 | 23.7 | 4.5 | 36.2 | 12 | 22 |
| HEC 3004 41 6D | 7.80 | 5.45 | 6.78 | 5.19 | 41.0 | 9.0 | 68.1 | 15 | 28 |

*Marks: Optional model without heater available / Nota: Modelo opcional sin el calentador disponible.

*Golden fins with highly anti-corrosion strength available / Aleta goldfin con alta resistencia a la corrosión disponible.

Electric data/ Datos eléctricos

| Model/ Modelo | Axial Fans/ Ventilador con motor axial | | | | | | | Electric Defrost/ Desescarche Eléctrico | | |
|-----------------------|---|----------|----------------------------------|---------------------------|-------------------------------|--|--------------------------------------|--|------------------------------|--------------|
| | Diameter Diámetro (Φ mm) | Nº | Voltage/ Voltaje (V, 50Hz) | Power/ Potencia (W) | Current/ Intensidad (A) | Air Flow/ Volumen de Aire (m ³ /h) | Air Throw/ Tiro de Aire (m) | Coil/ Aletas (W) | Drain Pan/ Desagüe (W) | Total (W) |
| HEC 3002 23 6D | 300 | 2 | 1~ 220 | 160 | 0.80 | 2487 | 12 | 2 × 1030 | 1 × 1030 | 3090 |
| HEC 3003 35 6D | 300 | 2 | 1~ 220 | 160 | 0.80 | 2887 | 8 | 2 × 1030 | 1 × 1030 | 3090 |
| HEC 3004 41 6D | 300 | 4 | 1~ 220 | 320 | 1.60 | 5774 | 12 | 2 × 2000 | 1 × 2000 | 6000 |