

General Description/描述

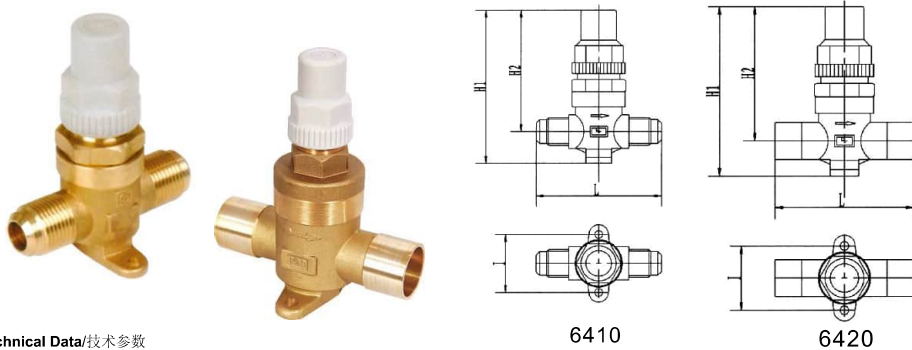
BLR capped valve can be used in commercial refrigeration system,civil and industrial air conditioning equipments.It was designed with automatic closing seal by spindle,so that this valve can be installed on anywhere of refrigerant flow position of the system which needs close.

BLR 型顶盖阀可在商业制冷系统、民用和工业空调设备上，他采用阀杆自闭合密封，从而使截止阀能够安装在冷冻系统中任何制冷剂流向需要关闭的部位。

Feature/特点

- ◆ Can be used for all fluorinated refrigerants and oils.
- ◆ Forged brass body,Hermetic design.
- ◆ Valve plate of polyamide nylon to give complete shut-off with minimum torque.
- ◆ Special designed of valve handle make it shut-off without the use of tools.
- ◆ Extended ends for soldering make installation easy,it is not necessary to dismantle the valve when soldering.

- ◆ 可用于所有的氟化物制冷剂与油
- ◆ 黄铜阀体，密封设计
- ◆ 聚四氟乙烯阀板，用最小的力矩就可将阀关闭严密
- ◆ 特殊的阀柄设计，使阀门在关闭时不需要借助任何工具
- ◆ 用于焊接连接的加长接口使安装简便，当焊接时不需要拆除阀体。



Technical Data/技术参数

Model 型号	Connection 接口尺寸		Dimensions 尺寸 (mm)					Weight 重量 (g)	Temperature Range(°C) 温度范围	Max Working Pressure (Bar) 最大工 作压力	KV Factor KV值 (m3/h)		
	Inch	mm	H1	H2	L1	d	I						
BLR-6410/2	1/4"SAE		85.5	67	68	4.5	38	305	-60 to +130	35	0.40		
BLR-6410/3	3/8"SAE	74			1.00								
BLR-6410/4	1/2"SAE	78			1.45								
BLR-6410/5	5/8"SAE				1.70								
BLR-6410/6	3/4"SAE		113	89.5	98	6.2	50	695			3.50		
BLR-6420/2	1/4"ODF		85.5	67	57	4.5	38	300			0.40		
BLR-6420/3	3/8"ODF	61			1.00								
BLR-6420/M10	10	70			1.45								
BLR-6420/M12	12	71			1.70								
BLR-6420/4	1/2"ODF		113	89.5	92	6.2	50	700			-30 to +90	28	1.00
BLR-6420/5	5/8"ODF	16			685								1.30
BLR-6420/M18	18	92			1.80								
BLR-6420/6	3/4"ODF				690				3.65				
BLR-6420/M22	22	94	3.65										
BLR-6420/7	7/8"ODF								3.65				

General Description/描述

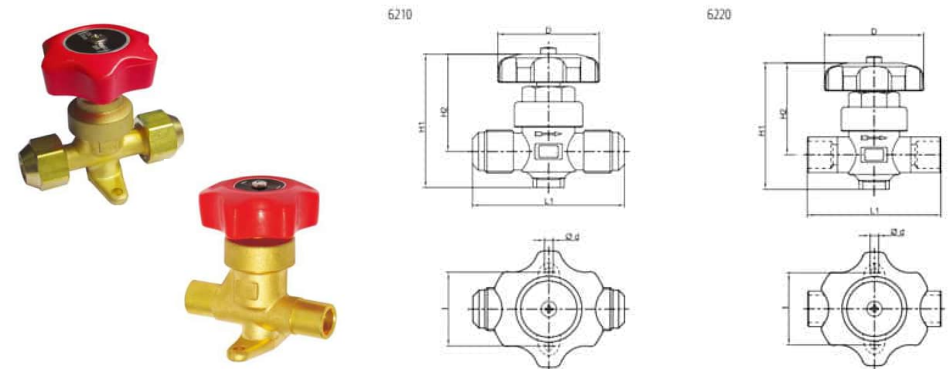
BLR type hand valve is a manual shut-off valve designed for installation in the liquid ,suction and hot gas lines of refrigeration plant. It doesn't have gland seal. The external sealing is ensured by some thin metal discs(diaphragms),which hermetically divide the spindle chamber from the fluid flow area.

BLR 款式手阀是手动截止阀，用于制冷装置的液体、吸气和热气管路上。它没有压盖密封。表面的密封性由一些薄的金属盘片保证，它们密封地将液体流动区域与轴腔分隔开来。

Feature/特点

- ◆ Applicable to all fluoride refrigerants
- ◆ Fitted with three stainless steel diaphragms that prevent leakage throughout the operating life of the valve.
- ◆ Valve plate of polyamide nylon to give complete shut with minimum torque.
- ◆ Valve cover with special designed to prevent ingress of moisture

- ◆ 可用于所有的氟化物制冷剂
- ◆ 带有三个不锈钢膜片，在阀的整个使用寿命期间防止泄露
- ◆ 聚四氟乙烯阀板，用最小的力矩就可将阀关闭严密
- ◆ 特殊阀盖设计，防止湿气进入阀体内部。



Technical Data/技术参数

Model 型号	Connection 接口尺寸	Dimensions 尺寸 (mm)						Weight 重量 (g)	Temperature Range(°C) 温度范围	Max Working Pressure (Bar) 最大工 作压力	KV Factor KV值 (m3/h)
		H1	H2	L1	d	I	D				
BLR-6210/2	1/4" SAE	68		58		36		200	-30 to +90	28	0.28
BLR-6210/3	3/8" SAE			74				325			1.00
BLR-6210/4	1/2" SAE	72	53.5	70	4.5	38	52	335			1.30
BLR-6210/5	5/8" SAE							340			1.80
BLR-6210/6	3/4" SAE	86	62.5	98	6.2	50	60	655			3.65
BLR-6220/2	1/4" ODF	68		53		35		195			0.28
BLR-6220/3	3/8" ODF			61				300			1.00
BLR-6220/4	1/2" ODF	72	53.5	70	4.5	38	52	305			1.30
BLR-6220/5	5/8" ODF			71				305			1.80
BLR-6220/6	3/4" ODF	86	62.5	92	6.2	50	60	580			3.65
BLR-6220/7	7/8" ODF			94				645			3.65